

Sealed Gel Rechargeable Battery Product Specification

SLAUMXNPG62-12(12V62AH)



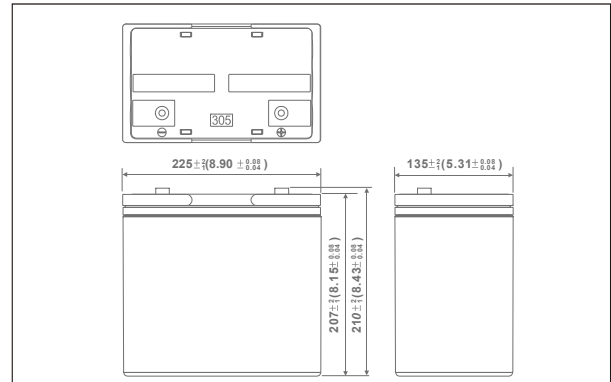
Specifications

Nominal Voltage		12V
Rated capacity (20 hour rate)		62Ah
Dimensions	Total Height	210 mm(6.73 inches)
	Height	207 mm(6.73 inches)
	Length	225 mm(6.83 inches)
	Width	135 mm(6.54 inches)
Weight Approx		18.5 Kg (40.7 lbs)

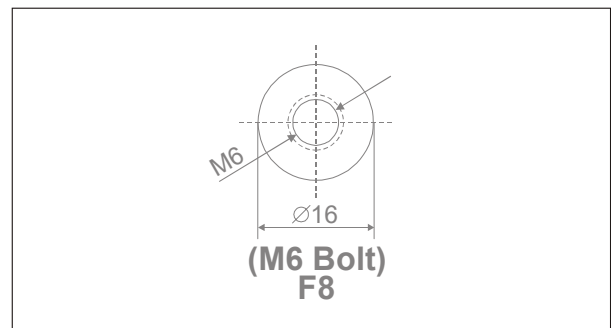
Characteristics

Capacity 25°C(77°F)	20 hour rate(3.10 A)	62.0 AH
	10 hour rate(4.70 A)	47.0AH
	5 hour rate(10.5 A)	52.7AH
	1 hour rate(34.1 A)	34.1AH
	1.5 hour discharge to 10.5V	24.8A
Internal Resistance	Full charged Battery at 25°C(77°F)	6 mΩ
Capacity affected by Temperature (20 hour rate)	40°C(104°F)	102%
	25°C(77°F)	100%
	0°C(32°F)	85%
	-15°C(5°F)	65%
Self-Discharge at 25°C(77°F)	Capacity after 1 month storage	98%
	Capacity after 3 month storage	94%
	Capacity after 6 month storage	85%
Terminal	M6	
Charge (constant Voltage)	Cycle	Maximum Charging Current 18.6 A Voltage 13.80-14.40V
	Float	Voltage 13.50-13.80V

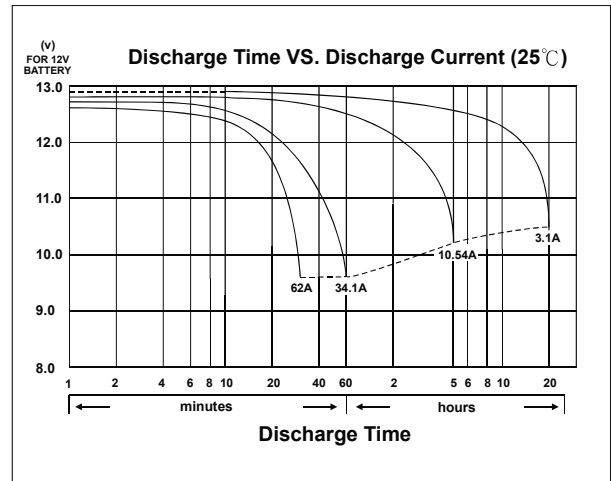
Outer dimensions (mm)



Terminal Type (mm)



Discharge Curves 25°C(77°F)



Constant Current(Amp) and Constant Power(Watt) Discharge Table at 25 °C(77 °F)

Time		5 Min	10 Min	15 Min	30 Min	1hr	2Hr	3Hr	4Hr	5Hr	10Hr	20Hr
9.60V	A	256	158	113	65.8	38.5	22.9	16.1	13.2	11.2	6.51	3.32
	W	2586	1758	1260	690	426	231	186	150.6	128.4	76.8	40.74
10.20V	A	233	145	104	60.8	36.9	21.8	15.3	12.6	10.9	6.36	3.25
	W	2424	1632	1182	636	409.8	220.8	178.2	145.8	125.4	75	39.84
10.50V	A	210	134	95.6	56.9	35.6	20.9	14.6	12.1	10.6	6.25	3.19
	W	2220	1524	1092	577.2	397.2	210	171	141	121.8	73.2	39.06
10.80V	A	174	116	84.4	49.1	34.1	19.6	13.7	11.5	10.2	6.08	3.1
	W	1890	1326	972	505.2	378	196.2	162	135	118.2	71.4	37.92
11.10V	A	110	81.3	67.2	41.4	30.9	17.7	12.4	10.7	9.63	5.84	2.97
	W	1242	942	786	392.4	328.8	177	150	127.2	112.2	68.4	36.42