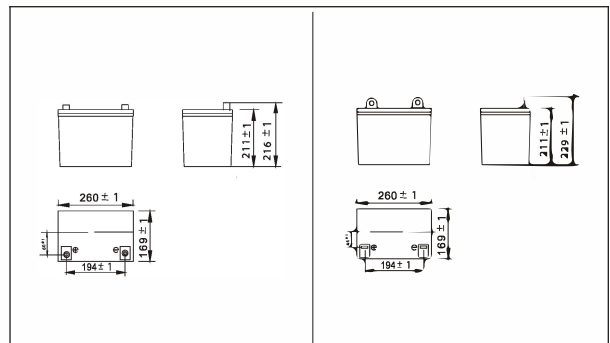


Sealed Lead Acid Rechargeable Battery Product Specification

SLAUMXNP80-12 (12V80AH)



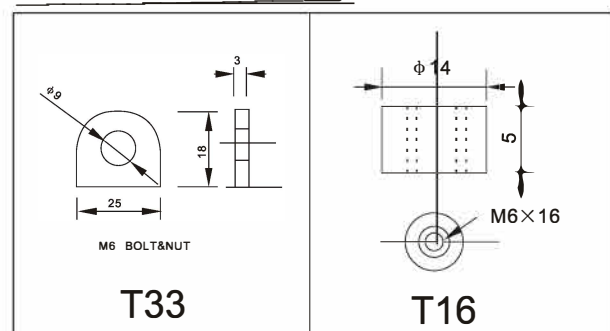
Outer dimensions (mm)



Specifications

Nominal Voltage		12V
Rated capacity (10 hour rate)		80 Ah
Dimensions	Total Height	T33 229 mm (9.02 inches) T16 216 mm (8.50 inches)
	Height	211 mm (8.30 inches)
	Length	260 mm (10.2 inches)
	Width	169mm (6.65 inches)
Weight Approx		25.6Kg

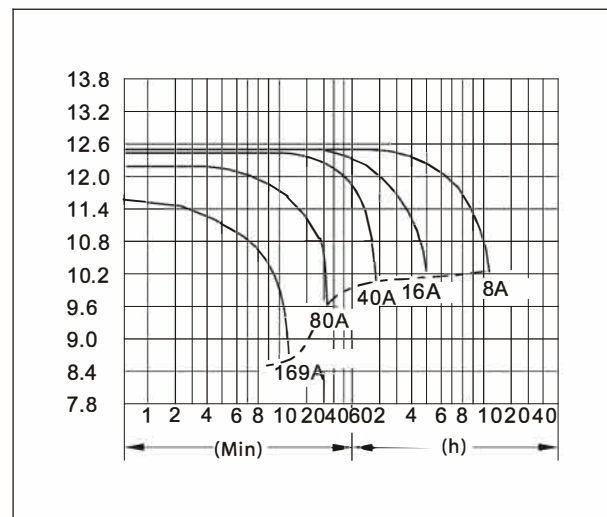
Terminal Type (mm)



Characteristics

Capacity	10 hour rate(8.0A)	80 AH
	5 hour rate(12.8A)	64 AH
	1 hour rate(48.0A)	48 AH
Internal Resistance	Full charged Battery at 25°C(77°F)	Approx 4.8 mΩ
Capacity affected by Temperature (10hour rate)	40°C(104°F)	102%
	25°C(77°F)	100%
	0°C(32°F)	85%
	-15°C(5°F)	65%
Self-Discharge at 25°C(77°F)	Capacity after 3 month storage	91%
	Capacity after 6 month storage	82%
	Capacity after 12 month storage	64%
Terminal		T33 T16
Charge (constant Voltage)	Cycle	Initial Charging Current less than 32 A Voltage 14.10-14.40V
	Float	Voltage 13.50-13.80V

Discharge Curves 25 °C(77°F)



Constant Current(Amp) and Constant Power(Watt) Discharge Table at 25 °C(77°F)													
Time		5min	10min	15min	30min	1h	2h	3h	4h	5h	8h	10h	20h
9.60V	A	256	169	136	91.2	48.0	28.0	20.6	16.0	13.2	9.36	8.40	4.54
	W	2644	1803	1459	981	518	307	229	180	150	107	97	52.7
10.20V	A	248	152	128	87.2	45.1	26.7	20.0	15.6	13.0	9.12	8.24	4.40
	W	2650	1701	1434	979	510	308	232	181	151	107	97	51.6
10.50V	A	240	136	112	81.6	43.7	26.1	19.5	15.4	12.8	9.04	8.08	4.40
	W	2622	1550	1279	939	506	302	227	180	150	106	96	52.0
10.80V	A	231	128	104	75.2	42.2	25.4	19.0	15.1	12.5	8.80	8.00	4.32
	W	2596	1481	1200	871	492	298	224	179	148	104	95	51.5
11.10V	A	224	120	96	67.2	40.8	24.8	18.4	14.7	12.2	8.56	7.60	4.08
	W	2536	1393	1119	786	480	293	219	175	145	103	91.7	49.4