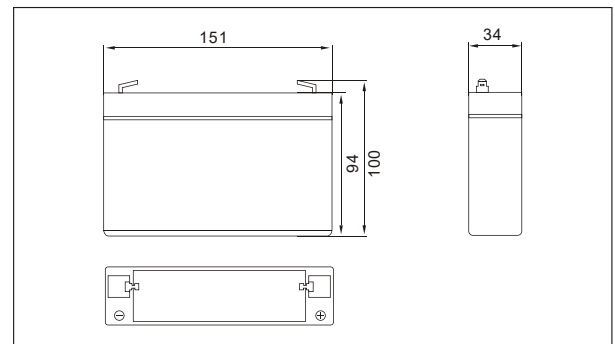


## Sealed Lead Acid Rechargeable Battery Product Specification

### SLAUMXNP7.5-6 (6V7.5AH)



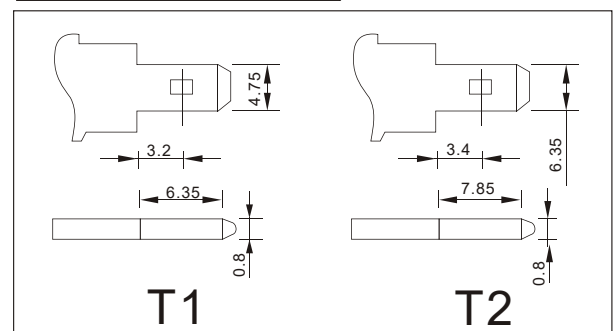
#### ● Outer dimensions (mm)



#### ● Specifications

Nominal Voltage		6 V
Rated capacity (20 hour rate)		7.5 Ah
Dimensions	Total Height	100 mm(3.94 inches)
	Height	94 mm(3.70 inches)
	Length	151 mm(5.94 inches)
	Width	34 mm(1.34 inches)
Weight Approx		1.3 Kg

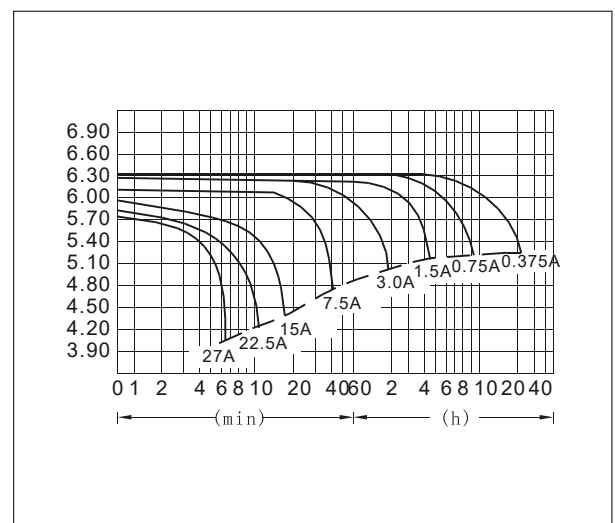
#### ● Terminal Type (mm)



#### ● Characteristics

Capacity 25°C(77°F)	20 hour rate(0.375A)	7.50 AH
	10 hour rate(0.69A)	6.90 AH
	5 hour rate(1.28A)	6.40 AH
	1 hour rate(4.50A)	4.50 AH
	1.5 hour discharge to 5.25 V	3.0 A
Internal Resistance	Full charged Battery at 25°C(77°F)	14.5 mΩ
Capacity affected by Temperature (20hour rate)	40°C(104°F)	102%
	25°C(77°F)	100%
	0°C(32°F)	85%
	-15°C(5°F)	65%
Self-Discharge at 25°C(77°F)	Capacity after 3 month storage	91%
	Capacity after 6 month storage	82%
	Capacity after 12 month storage	64%
Terminal	T1 or T2	
Charge (constant Voltage)	Cycle	Initial Charging Current less than 3.0A Voltage 7.20-7.35V
	Float	Voltage 6.75-6.90V

#### ● Discharge Curves 25 °C(77°F)



Time	5min	10min	15min	30min	1h	2h	3h	4h	5h	8h	10h	20h
4.80V	A	27.0	16.9	13.1	8.63	4.50	2.63	1.93	1.55	1.32	0.87	0.71
	W	159.2	100.0	75.6	45.8	25.9	15.2	11.17	8.97	7.61	5.02	4.11
5.10V	A	24.8	16.6	12.1	8.19	4.22	2.52	1.88	1.50	1.29	0.85	0.70
	W	149.8	98.4	71.1	45.5	24.4	14.6	10.86	8.69	7.47	4.94	4.03
5.25V	A	23.0	15.8	11.3	7.94	4.09	2.47	1.84	1.43	1.28	0.84	0.69
	W	144.7	91.9	68.0	45.0	23.7	14.3	10.67	8.25	7.42	4.89	4.00
5.40V	A	20.9	15.1	10.5	7.58	3.95	2.41	1.81	1.40	1.22	0.82	0.67
	W	138.1	89.1	65.5	44.8	23.0	14.0	10.55	8.15	7.09	4.69	3.91
5.55V	A	18.1	14.3	9.75	7.05	3.81	2.34	1.72	1.37	1.17	0.80	0.66
	W	107.7	86.1	62.3	44.5	22.7	13.9	10.23	8.13	6.94	4.53	3.83