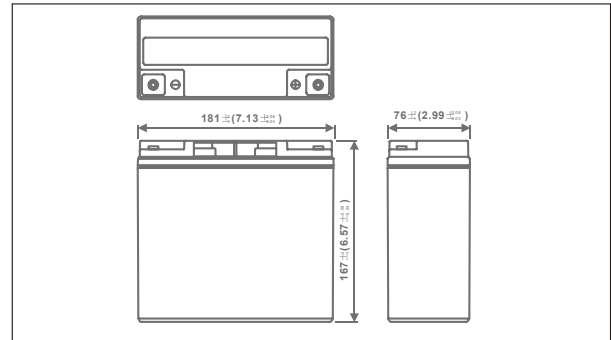


## Sealed Lead Acid Rechargeable Battery Product Specification

### SLAUMXNP22-12 (12V22AH)



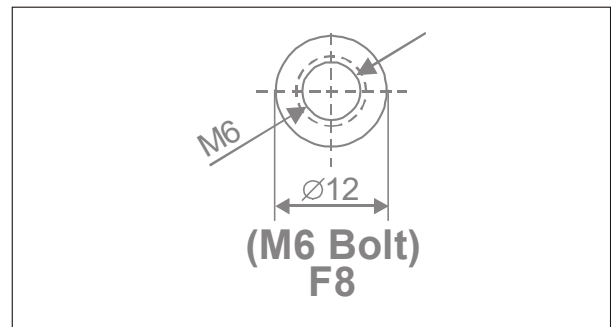
#### Outer dimensions (mm)



#### Specifications

Nominal Voltage		12V
Rated capacity (20 hour rate)		22.0Ah
Dimensions	Total Height	167mm (6.59 inches)
	Height	167mm (6.59 inches)
	Length	181 mm (7.14 inches)
	Width	76 mm (3.03 inches)
Weight Approx		6.90 Kg

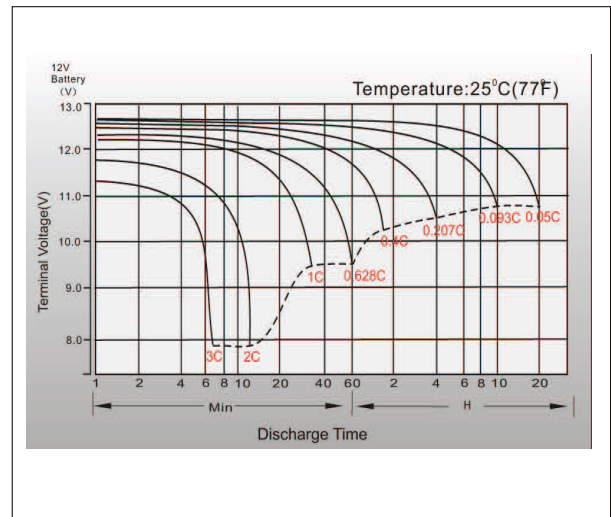
#### Terminal Type (mm)



#### Characteristics

Capacity 25°C(77°F)	20 hour rate(1.00 A)	22.0 AH
	10 hour rate(1.86 A)	20.6AH
	5 hour rate(3.40A)	19.0AH
	1 hour rate(12.6A)	14.6AH
	1.5 hour discharge to 10.5V	8.80 A
Internal Resistance	Full charged Battery at 25°C(77°F)	14.5mΩ
Capacity affected by Temperature (20hour rate)	40°C(104°F)	103%
	25°C(77°F)	100%
	0°C(32°F)	86%
	-15°C(5°F)	65%
Self-Discharge at 25°C(77°F)	Capacity after 3 month storage	91%
	Capacity after 6 month storage	82%
	Capacity after 12 month storage	63%
Terminal		T3
Charge (constant Voltage)	Cycle	Initial Charging Current less than 6.6 A Voltage 14.40-15.00V
	Float	Voltage 13.50-13.80V

#### Discharge Curves 25 °C(77 °F)



Time		5 Min	10 Min	15 Min	30 Min	1hr	2Hr	3Hr	4Hr	5Hr	10Hr	20Hr
9.60V	A	80.2	50.1	39.7	21.9	11.5	6.72	4.85	3.68	3.16	1.85	0.962
	W	921.6	642	489	301.8	169.8	99.6	77.4	62.4	51.36	28.44	14.88
10.20V	A	75.1	46.5	37.7	20.7	11	6.53	4.73	3.62	3.11	1.82	0.946
	W	786.6	565.8	440.4	275.4	166.8	95.4	72.6	59.04	48.72	27.66	14.64
10.50V	A	71.9	44.3	36.3	19.8	10.7	6.39	4.64	3.58	3.07	1.8	0.931
	W	735	531	418.8	265.8	162	93	70.8	57.6	47.58	27.12	14.34
10.80V	A	68.3	41.8	34.6	18.7	10.3	6.23	4.52	3.52	3.02	1.77	0.914
	W	666	491.4	388.2	258	155.4	90	69.6	56.58	46.56	26.46	14.22
11.10V	A	62.6	38.6	31.9	17.4	9.74	5.98	4.35	3.43	2.96	1.73	0.893
	W	501.6	388.8	325.8	222	139.8	83.4	65.4	53.28	43.56	25.68	14.1