

ULTRAMAX®

Bluetooth Lithium Iron Phosphate (LiFePO4) Battery Specification

SLAUMXLI60-12BLU (12.8V60AH)



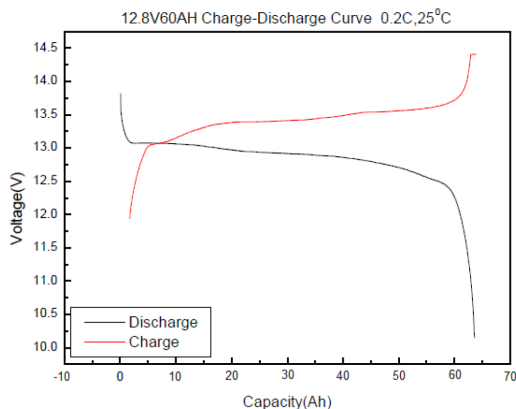
Specifications

Nominal Voltage		12.8V
Rated capacity (20 hour rate)		60Ah
Dimensions	Total Height	187 mm
	Height	187 mm
	Length	250 mm
	Width	150 mm
Weight Approx		7.1 Kg
Terminal		M6

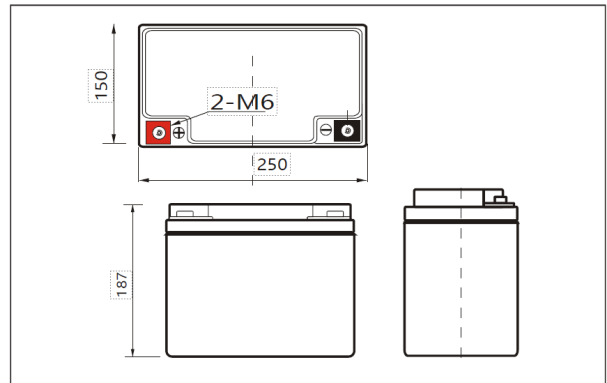
Characteristics

Capacity Retention	>80% at 28 days	
Cycle Life	>80% at 2000 Cycles	
1.5 hour discharge to 10.5V	3.00 A	
Internal Resistance	<50 mΩ	
Charge Characteristics	Charge Voltage	14.6±0.1V
	Charger Current	<50A
Discharge Characteristics	Max Continuous Current	60A
	Min Discharge Cut-off Voltage	10V
Temperature	Charge Temperature	0°C-45°C(32°F-113°F)
	Discharge Temperature	-20°C-60°C(-4°F-140°F)
	Storage Temperature	0°C-40°C(32°F-104°F)

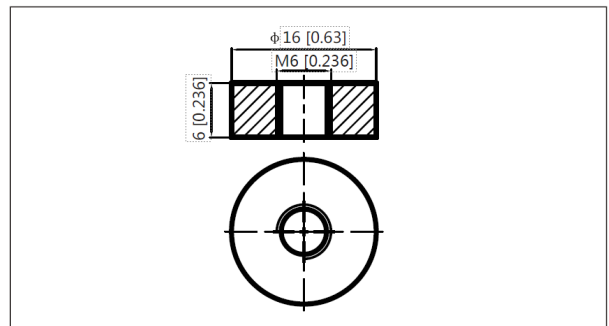
Characteristics Curves



Outer dimensions (mm)



Terminal Type (mm)



Bluetooth APP discription

For Apple mobile phone, search and download "UMXLI Battery"
For Android mobile phone, search and download "UMXLI BMS"

Interface of APP:

