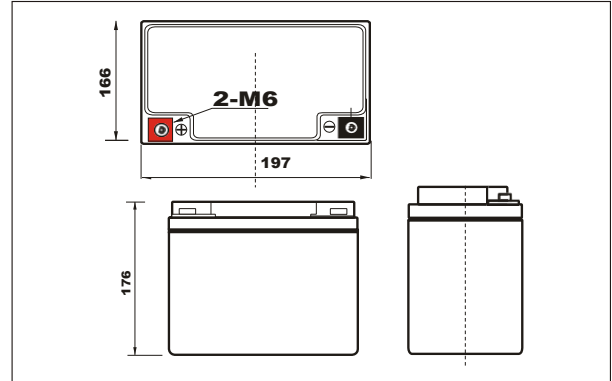


## Lithium Iron Phosphate (LiFePO4) Battery Specification

**SLAUMXLI40-12(12.8V42AH)**



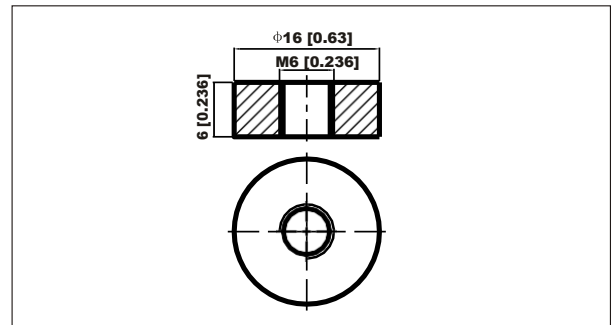
### Outer dimensions (mm)



### Specifications

|                               |              |        |
|-------------------------------|--------------|--------|
| Nominal Voltage               | 12.8V        |        |
| Rated capacity (20 hour rate) | 42Ah         |        |
| Dimensions                    | Total Height | 175 mm |
|                               | Height       | 175 mm |
|                               | Length       | 195 mm |
|                               | Width        | 165 mm |
| Weight Approx                 | 5.5 Kg       |        |
| Terminal                      | M6           |        |

### Terminal Type (mm)



### Characteristics

|                             |                               |                        |
|-----------------------------|-------------------------------|------------------------|
| Capacity Retention          | >80% at 28 days               |                        |
| Cycle Life                  | >80% at 2000 Cycles           |                        |
| 1.5 hour discharge to 10.5V | 3.00 A                        |                        |
| Internal Resistance         | <20 mΩ                        |                        |
| Charge Characteristics      | Charge Voltage                | 14.6±0.1V              |
|                             | Charger Current               | <40A                   |
| Discharge Characteristics   | Max Continuous Current        | 50A                    |
|                             | Min Discharge Cut-off Voltage | 10V                    |
| Temperature                 | Charge Temperature            | 0°C-45°C(32°F-113°F)   |
|                             | Discharge Temperature         | -20°C-60°C(-4°F-140°F) |
|                             | Storage Temperature           | 0°C-40°C(32°F-104°F)   |

### Discharge Curves 25°C(77°F)

