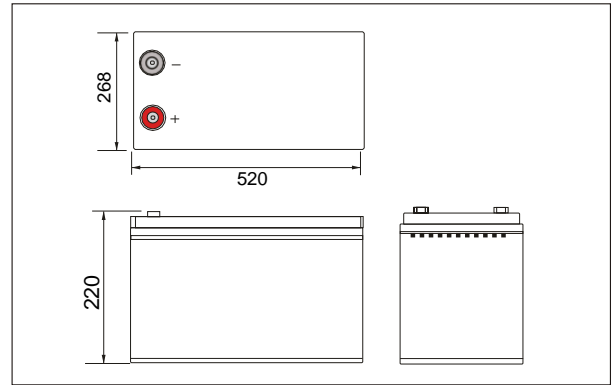


Lithium Iron Phosphate (LiFePO4) Battery Specification

SLAUMXLI300-12PRI (12.8V300AH)



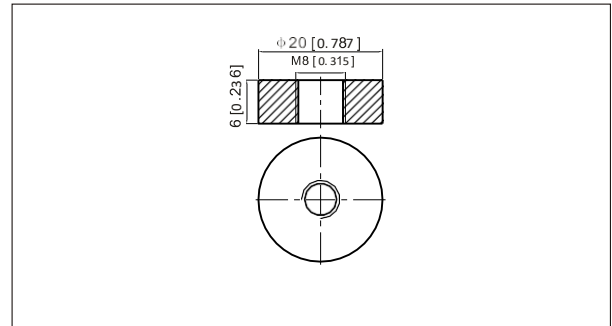
● Outer dimensions (mm)



● Specifications

Nominal voltage	12.8V	
Typical capacity	300Ah	At 0.2C discharge rate
Max continuous discharge current	200A	
Peak discharge current	400A	1s
Over current protection	700±20A	10ms
Discharge cut-off voltage	8V	
Charge voltage	14.6±0.1V	Charge mode: CC/CV, Use a constant current, constant voltage(CC/CV) please use special lithium charger. DO NOT REVERSE!
Charge current	≤ 200A	
Inner resistance	≤ 10mΩ	Between positive and negative polar
Operation temperature range	Charge	0°C~+45°C
	Discharge	-20°C~+60°C When the environment temperature is higher than 45°C, please pay attention to ventilation and heat rejection.
Storage temperature range	0°C~40°C (Capacity 80%)	Recommended long-term storage temperature is 15~25°C
Humidity	≤RH≤85%	
Shell material	ABS plastic	
Weight	About: 31.3Kg	
Size (L*W*H)	520*268*220mm ±1mm	
Protection function	Over charge protection, Over discharge protection, Over current protection, Balance function, Temperature protection	
Communication (optional)	N/A	

● Terminal Type (mm)



● Characteristics

