

Lithium Iron Phosphate (LiFePO4) Battery Specification

SLAUMXLI100-12 (12.8V100AH)



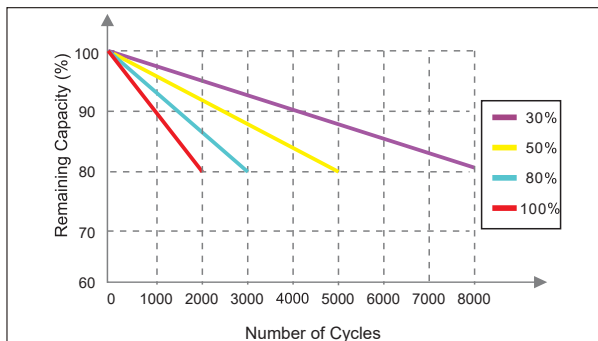
Specifications

Nominal Voltage		12.8V
Rated capacity (20 hour rate)		100Ah
Dimensions	Total Height	211 mm
	Height	211 mm
	Length	325 mm
	Width	165 mm
Weight Approx		12.8 Kg

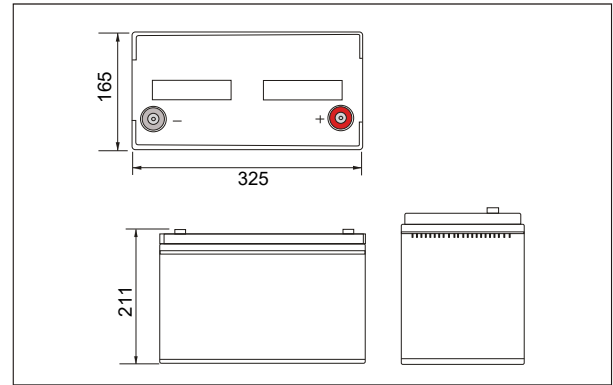
Characteristics

Charge Discharge Properties	Efficiency of Charge	100% at 0.5C
	Efficiency of Discharge	97% at 1C
	Cycle Life	>80% retention at 2000 cycles
1.5 hour discharge to 10.5V		40.0 A
Internal Resistance		<20 mΩ
Charge Characteristics	Charge Voltage	14.6±0.1V
	Charger Current	50A
	Charge Cut-off Voltage	14.6±0.1V
Discharge Characteristics	Normal Current	50A
	Max Continuous Current	100A
	Maximum Pulse Current	120A(<3s)
	Discharge Cut-off Voltage	10V
Temperature	Charge Temperature	0°C-45°C(32°F-113°F)
	Discharge Temperature	-20°C-60°C(-4°F-140°F)
	Storage Temperature	0°C-40°C(32°F-104°F)
	Months Self Discharge	<3%

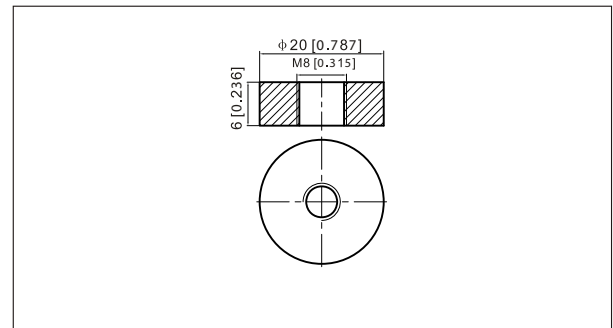
Cycle Lives Curves



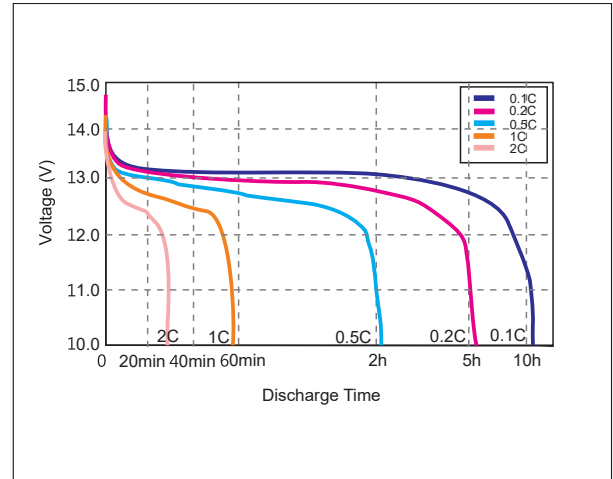
Outer dimensions (mm)



Terminal Type (mm)



Discharge Curves 25°C(77°F)



Temperature Discharge Curve @0.5C

