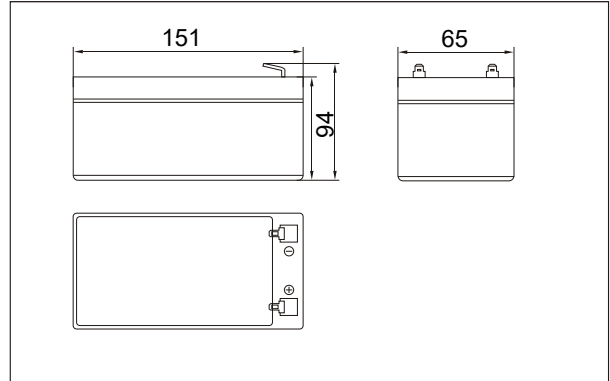


Lithium Iron Phosphate (LiFePO4) Battery Specification

SLAUMXLI10-12(12.8V10AH)



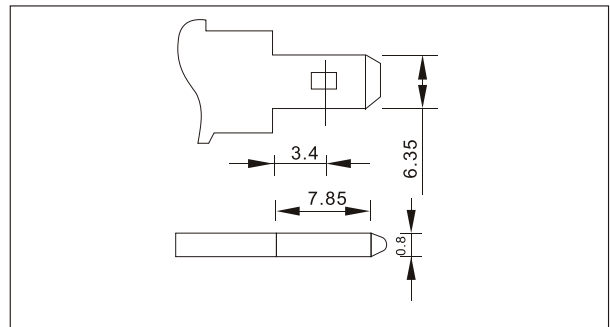
Outer dimensions (mm)



Specifications

Nominal Voltage	12.8V	
Rated capacity (20 hour rate)	10Ah	
Dimensions	Total Height	94 mm
	Height	92 mm
	Length	151 mm
	Width	65 mm
Weight Approx	1.2 Kg	
Terminal	TAG 6.35mm	

Terminal Type (mm)



Characteristics

Capacity Retention	>80% at 28 days	
Cycle Life	>80% at 2000 Cycles	
1.5 hour discharge to 10.5V	3.00 A	
Internal Resistance	<50 mΩ	
Charge Characteristics	Charge Voltage	14.6±0.1V
	Charger Current	<10A
Discharge Characteristics	Max Continuous Current	15A
	Min Discharge Cut-off Voltage	8.4V
Temperature	Charge Temperature	0°C-45°C(32°F-113°F)
	Discharge Temperature	-20°C-60°C(-4°F-140°F)
	Storage Temperature	0°C-40°C(32°F-104°F)

Discharge Curves 25°C(77 °F)

