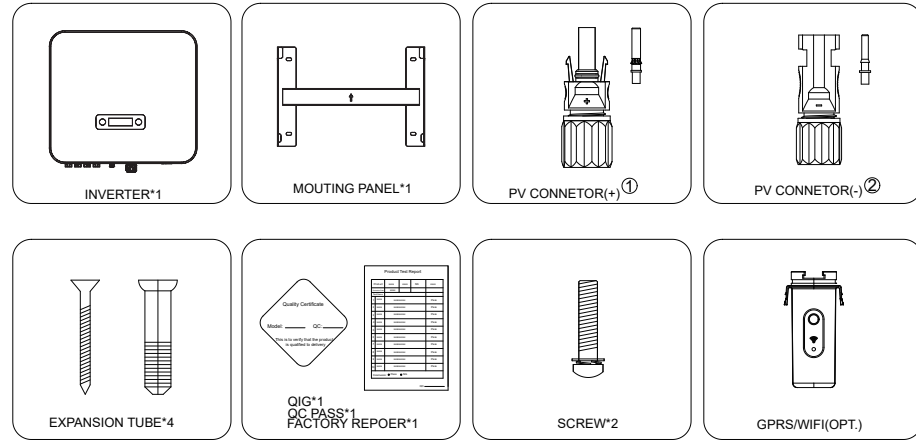


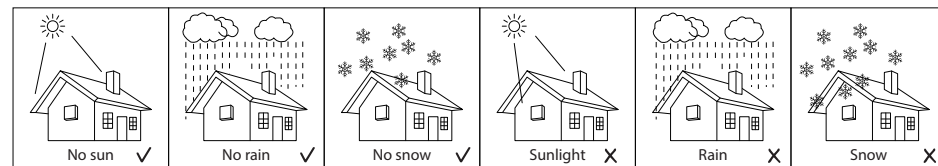
## I Package Information



- ① There are 2 PV+ connectors for 4/5/6K-DS, 3 PV+ connectors for 7/8K-DS and 4 PV+ connectors for 9/10/10.5K-DS  
② There are 2 PV- connectors for 4/5/6K-DS, 3 PV- connectors for 7/8K-DS and 4 PV- connectors for 9/10/10.5K-DS

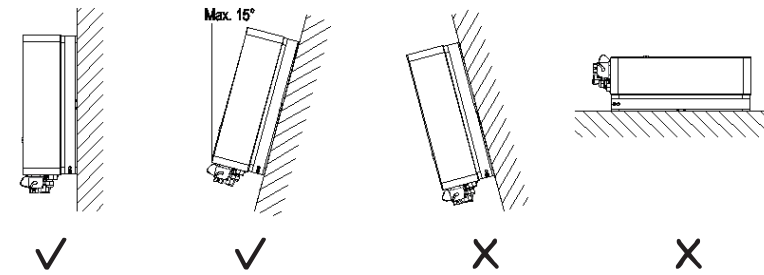
## II Installation Environment

- In order to achieve optimal performance, the ambient temperature should be kept lower than 45 °C.
- For the convenience of checking the LCD display and possible maintenance activities, please install the inverter at eye level.
- Inverters should not be installed near inflammable or explosive items. Any strong electro-magnetic equipment should be kept away from installation site.
- Product label and warning symbol shall be clear to read after installation.
- Please do not install inverter under direct sunlight, rain and snow.



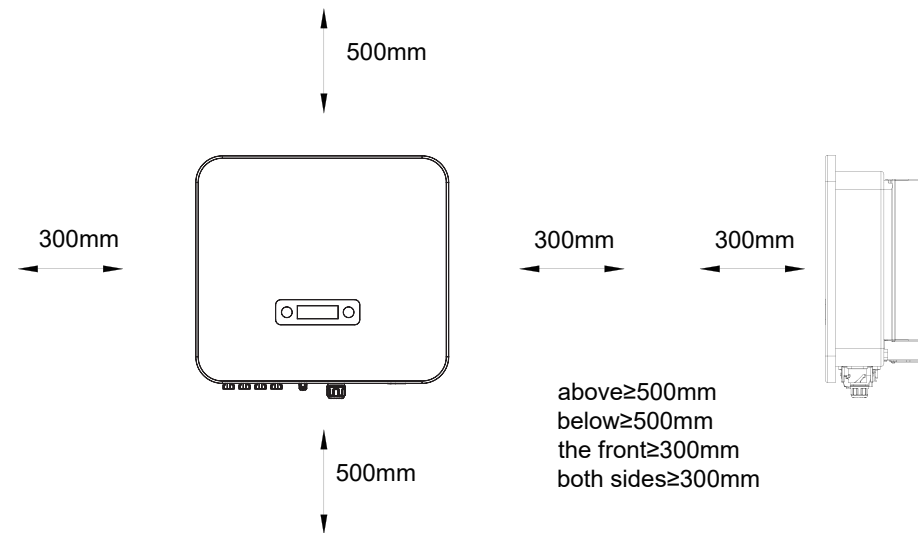
## III Installation Position

- The installation method and mounting location must be suitable for the inverter's weight and dimensions.
- Mount on a solid surface.
- Select a well-ventilated place sheltered from direct sun radiation.



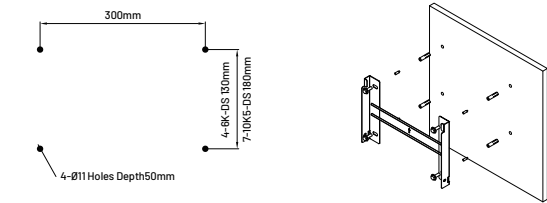
## IV Installation Space

The installation minimum clearances around the inverter should be no less than the following value:

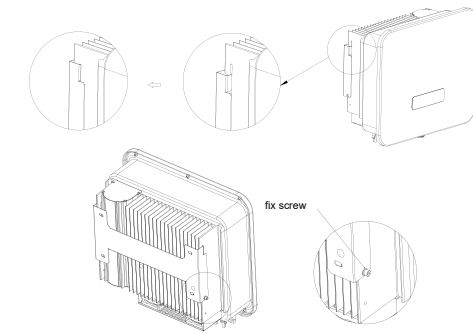


## V Mounting The Inverter

- Drill 4 Fix  $\varnothing 11$  holes in the wall according to the dimensions, fix the wall mounting bracket on the wall with 4 expansion bolts in accessory bag.



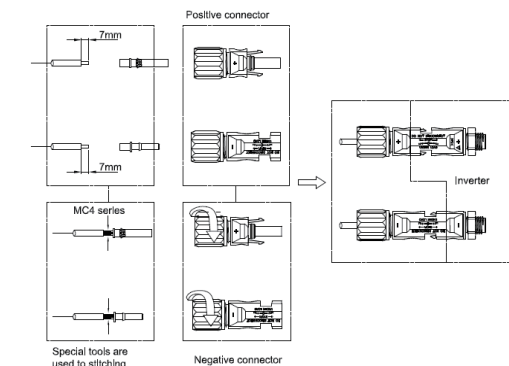
- Place the inverter on the wall-mounted bracket and install the fix screws.



## VI Electrical Connection

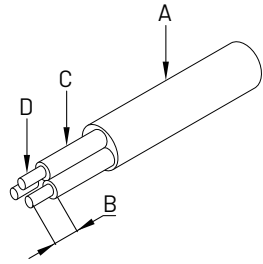
### PV connection

- Connect the PV strings to DC input port of inverter; make sure the maximum open circuit voltage (Voc) of each PV string does not exceed the inverter input voltage  $V_{max}$  under any condition.



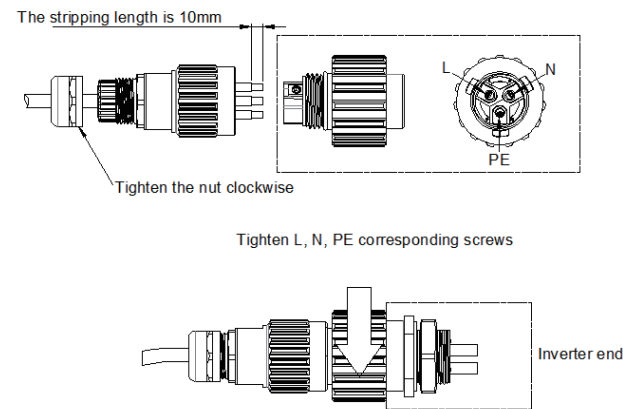
## AC connection

1) Strip off L/N/PE cables as below figure:



No.	Description	Remark
A	Protective layer	Diameter ranges : 9-16mm
B	Length of stripped off	12mm
C	Insulate layer	50mm
D	Cross section of ac cables	6-10mm <sup>2</sup>

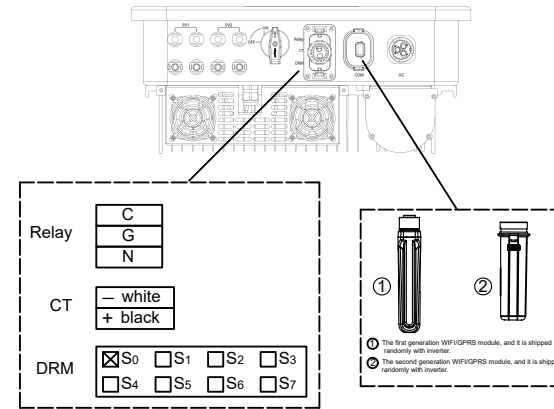
2) Tighten the nut clockwise & Tighten L/N/PE cable screws to the terminals according to markings.



3) Plug Grid side connector into AC connector of inverter end, rotate and tighten clockwise.

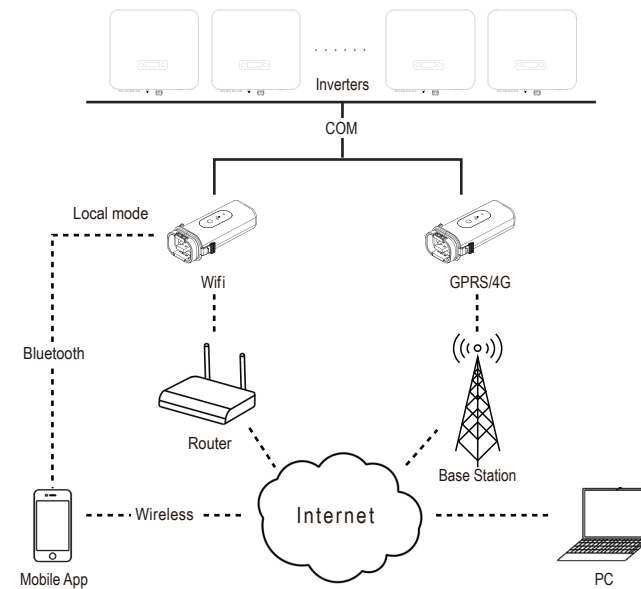
## Communication connection

Overview of communication ports:

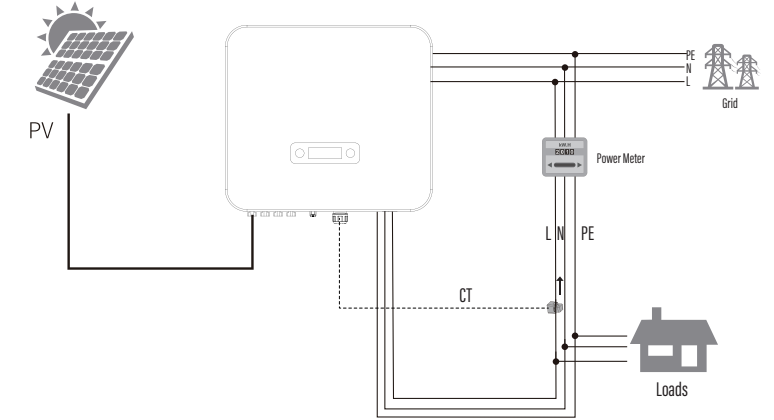


### 1) WIFI/GPRS Communication (optional)

Connect the WIFI/GPRS module to the COM port of inverter. After successful connection, information such as power generation and running state of the inverter can be viewed via the App on the phone. The details please refer to the module user manual. The block diagram of the WIFI/GPRS communication system is as follows:



## 2) CT Connection (Optional)



### 3) DRM and Relay connection

DRM (demand response modes) it is a special port as specified in the standard AS/NZS4777, and for CEI standard, DRM S0 is the DI port. The relay can be set to fault alarm output, it's a dedicated interface for Europe, User can use LED indicators or other equipment to indicate whether the inverter is in the faulty state. The details please refer to inverter user manual.

## Starting The Inverter

### Turn on inverter

- 1) Turn on inverter DC switch to "ON" position.
- 2) Close the DC and AC circuit breaker.

### Commissioning

#### 1) Language setting

Long press the function button to enter the "set language" interface, hit function button less than 1s to choose the language and long press the function button to confirm the setting.

Set Language  
factory Set

#### 2) Country setting

Long press the function button to enter the "set country" interface, hit function button less than 1s to choose the country and long press the function button to confirm the setting.

Set Country  
factory Set