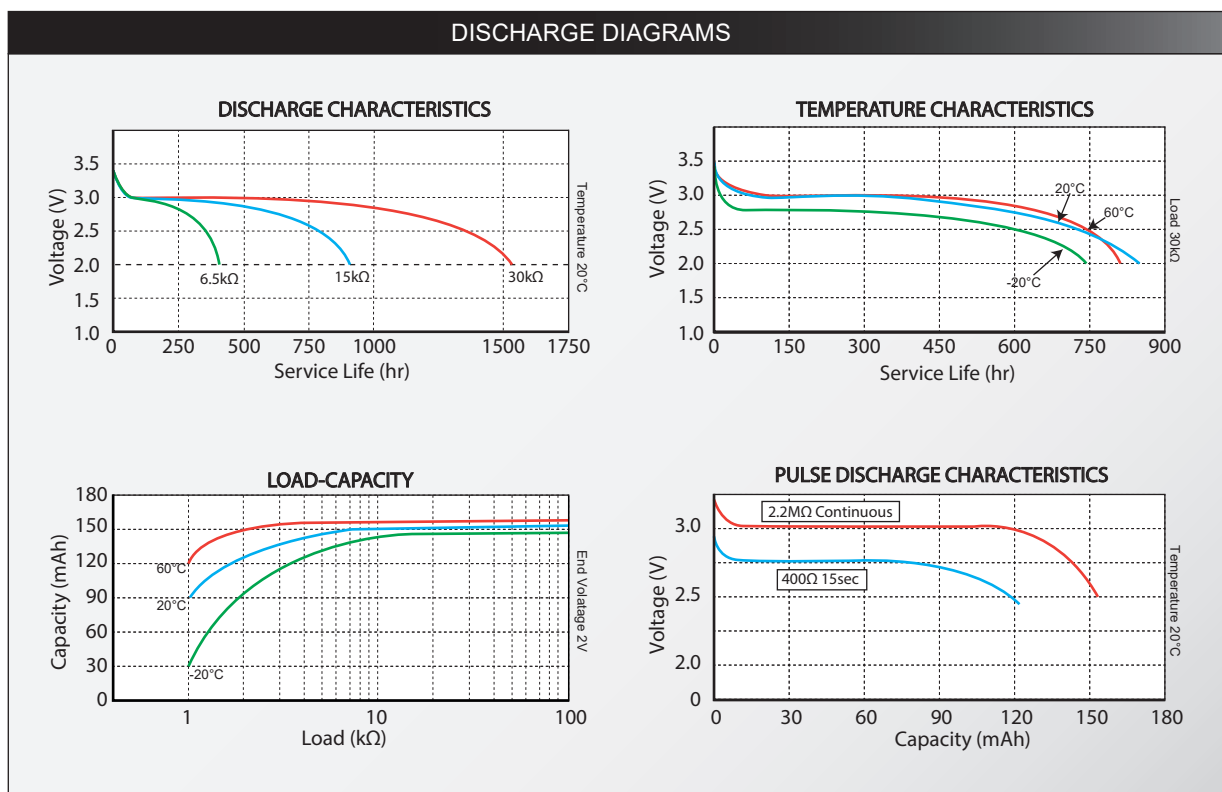
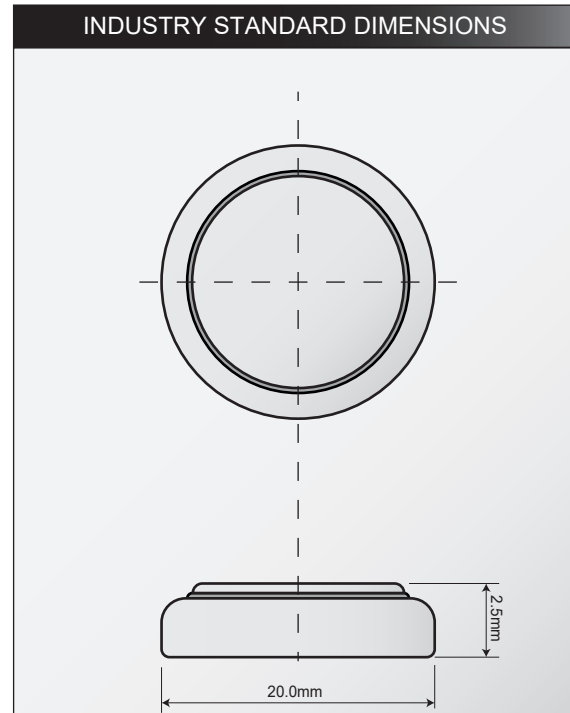




SPECIFICATION	
DESIGNATION	CR2025
NOMINAL VOLTAGE	3.0V
TYPICAL CAPACITY	150mAh
TYPICAL WEIGHT	2.3g
TYPICAL VOLUME	1.0cm <sup>3</sup>
INSTANT SHORT-CIRCUIT CURRENT	≥250mA
CHEMICAL SYSTEM	Lithium Manganese Dioxide
SELF-DISCHARGE RATE	≤1% per year
OPERATING TEMPERATURE RANGE	-20°C~60°C



PREPARED BY	CHECKED BY	APPROVED BY

## Important Notice

This specification contains typical information specific to products manufactured at the time of publication. The data is subject to change and should be used for reference only. Contact FujiEnergy for the latest information.