

Sealed Gel Rechargeable Battery Product Specification

SLAUMXNPG75-12 (12V75AH)



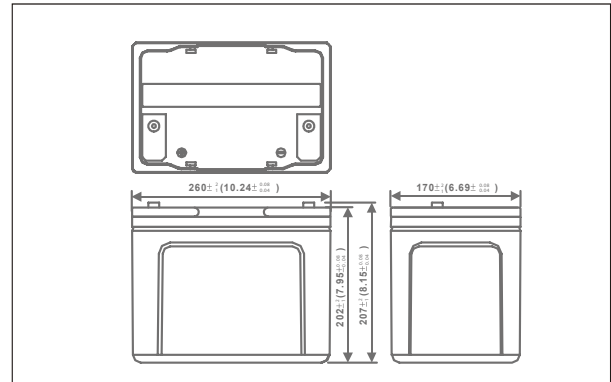
Specifications

Nominal Voltage		12V
Rated capacity (20 hour rate)		75Ah
Dimensions	Total Height	207mm (2.60 inches)
	Height	202mm (2.36 inches)
	Length	260 mm (5.32 inches)
	Width	170mm (2.64 inches)
Weight Approx		24.8 Kg (54.6 lbs)

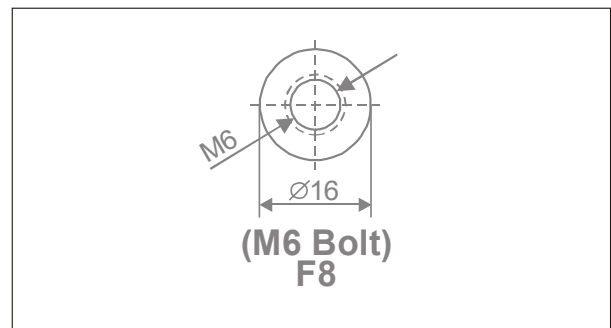
Characteristics

Capacity 25°C(77°F)	20 hour rate(3.75A)	75.0 AH
	10 hour rate(7.20A)	72.0AH
	5 hour rate(12.8A)	63.8AH
	1 hour rate(41.3A)	41.3AH
	1.5 hour discharge to 10.5V	28.8 A
Internal Resistance	Full charged Battery at 25°C(77°F)	7.5 mΩ
Capacity affected by Temperature (20 hour rate)	40°C(104°F)	102%
	25°C(77°F)	100%
	0°C(32°F)	85%
	-15°C(5°F)	65%
Self-Discharge at 25°C(77°F)	Capacity after 1 month storage	98%
	Capacity after 3 month storage	94%
	Capacity after 6 month storage	85%
Terminal		F8 (M6 Bolt)
Charge (constant Voltage)	Cycle	Maximum Charging Current 22.5 A Voltage 13.80-14.40V
	Float	Voltage 13.50-13.80V

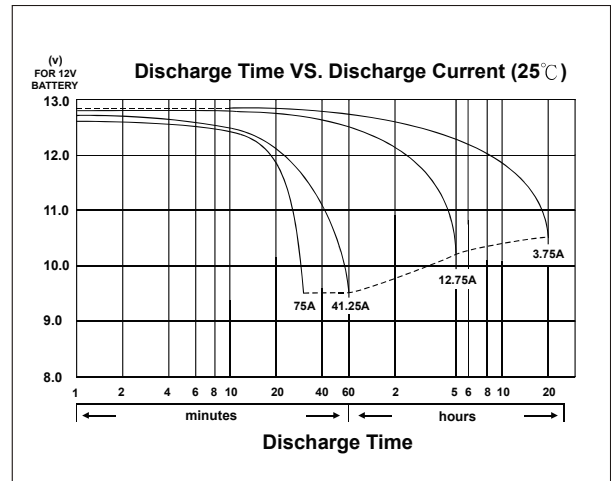
Outer dimensions (mm)



Terminal Type (mm)



Discharge Curves 25 °C(77 °F)



Constant Current(Amp) and Constant Power(Watt) Discharge Table at 25 °C(77 °F)

Time		5 Min	10 Min	15 Min	30 Min	1hr	2Hr	3Hr	4Hr	5Hr	10Hr	20Hr
9.60V	A	274	186	135	80.1	45	24.5	19	15.1	13.5	7.46	3.87
	W	3060	2094	1584	894	515.4	303	216.6	174	151.2	89.4	47.22
10.20V	A	245	167	124	76.1	43.3	23.3	17.9	14.2	12.8	7.35	3.82
	W	2814	1926	1482	858	501	294	210	169.2	148.2	88.2	46.44
10.50V	A	221	150	112	71.5	41.9	22.2	17.1	13.7	12.5	7.26	3.78
	W	2652	1818	1296	834	490.2	286.2	205.8	165.6	145.2	87.6	45.96
10.80V	A	193	129	98.1	65.3	40.2	20.8	16.2	12.9	12.1	7.15	3.73
	W	2316	1584	1218	804	476.4	277.8	199.8	160.8	141	86.4	45.42
11.10V	A	160	101	81.5	56.9	37.5	18.8	14.7	12.1	11.4	7.02	3.67
	W	2196	1506	960	750	451.2	263.4	189.6	154.2	135	85.8	44.76