

# ULTRA MAX®

## Sealed Gel Rechargeable Battery Product Specification

### SLAUMXNPG40-12(12V40AH)



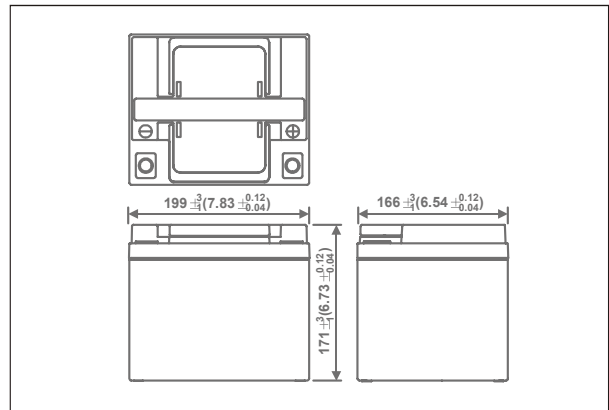
#### Specifications

Nominal Voltage		12V
Rated capacity (20 hour rate)		40Ah
Dimensions	Total Height	171 mm (2.60 inches)
	Height	171 mm (2.36 inches)
	Length	199 mm (5.32 inches)
	Width	166 mm (2.64 inches)
Weight Approx		13.3 Kg (29.3 lbs)

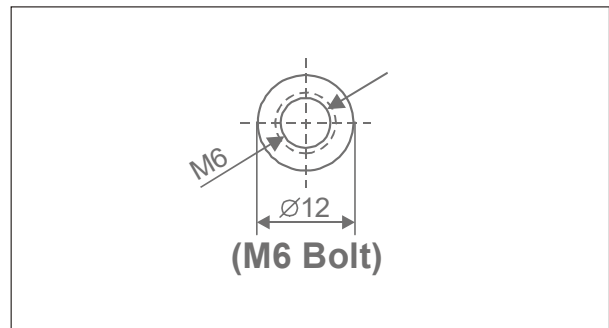
#### Characteristics

Capacity 25°C(77°F)	20 hour rate (2.00 A)	40.0AH
	10 hour rate (3.70 A)	37.0AH
	5 hour rate (6.80A)	34.0AH
	1 hour rate (22.0A)	22.0AH
	1.5 hour discharge to 10.5V	16.0 A
Internal Resistance	Full charged Battery at 25°C(77°F)	8 mΩ
Capacity affected by Temperature (20 hour rate)	40°C(104°F)	102%
	25°C(77°F)	100%
	0°C(32°F)	85%
	-15°C(5°F)	71%
Self-Discharge at 25°C(77°F)	Capacity after 1 month storage	92%
	Capacity after 3 month storage	90%
	Capacity after 6 month storage	80%
Terminal		F8 (M6 Bolt)
Charge (constant Voltage)	Cycle	Maximum Charging Current 12.0 A Voltage 13.80-14.40V
	Float	Voltage 13.50-13.80V

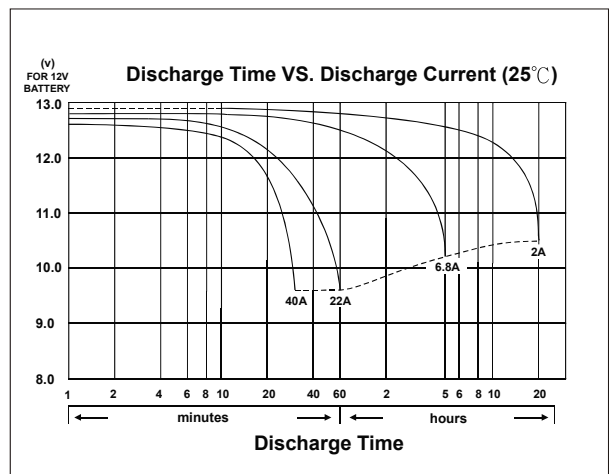
#### Outer Dimensions (mm)



#### Terminal Type (mm)



#### Discharge Curves 25°C (77°F)



#### Constant Current (Amp) and Constant Power (Watt) Discharge Table at 25°C (77°F)

Time		5 Min	10 Min	15 Min	30 Min	1hr	2Hr	3Hr	4Hr	5Hr	10Hr	20Hr
9.60V	A	160	94.9	73.3	40.6	23.4	13.4	9.78	7.72	6.94	4	2.11
	W	1818	1170	864	459	273.6	161.4	118.2	91.2	81.6	46.38	25.68
10.20V	A	151	89.5	70	38	22.7	13	9.4	7.58	6.8	3.87	2.04
	W	1728	1110	822	438.6	267	157.2	114.6	89.4	81.6	44.4	24
10.50V	A	141	84.1	66	36.8	22.4	12.7	9.25	7.41	6.67	3.8	2
	W	1614	1038	774	413.4	262.2	154.2	112.8	87.6	79.8	43.2	23.1
10.80V	A	126	75.1	59.8	33.4	22	12.3	9.04	7.17	6.52	3.65	1.92
	W	1440	924	702	374.4	255.6	151.2	109.8	86.4	78.6	42.06	22.08
11.10V	A	104	61.6	50.9	29.6	21.3	11.8	8.71	6.9	6.28	3.5	1.84
	W	1206	768	597	318.6	247.2	145.8	106.2	84	76.8	40.74	20.88