

ULTRA MAX®

Sealed Gel Rechargeable Battery Product Specification

SLAUMXNPG24-12 (12V24AH)



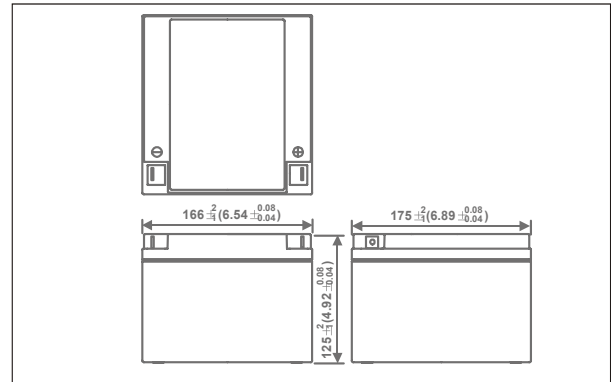
Specifications

Nominal Voltage		12V
Rated capacity (20 hour rate)		24Ah
Dimensions	Total Height	125 mm (4.92 inches)
	Height	125 mm (4.92 inches)
	Length	166 mm (6.54 inches)
	Width	175 mm (6.89 inches)
Weight Approx		9.50 Kg (20.9 lbs)

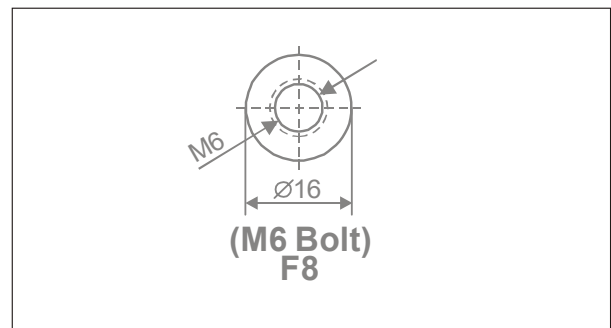
Characteristics

Capacity 25°C(77°F)	20 hour rate(1.20A)	24.0 AH
	10 hour rate(2.21A)	22.1AH
	5 hour rate(4.08A)	20.4AH
	1 hour rate(13.2A)	13.2AH
	1.5 hour discharge to 10.5V	9.60 A
Internal Resistance	Full charged Battery at 25°C(77°F)	7 mΩ
Capacity affected by Temperature (20 hour rate)	40°C(104°F)	102%
	25°C(77°F)	100%
	0°C(32°F)	85%
	-15°C(5°F)	70%
Self-Discharge at 25°C(77°F)	Capacity after 1 month storage	92%
	Capacity after 3 month storage	90%
	Capacity after 6 month storage	80%
Terminal	F8 (M6 Bolts)	
Charge (constant Voltage)	Cycle	Maximum Charging Current 7.20 A Voltage 13.80-14.40V
	Float	Voltage 13.50-13.80V

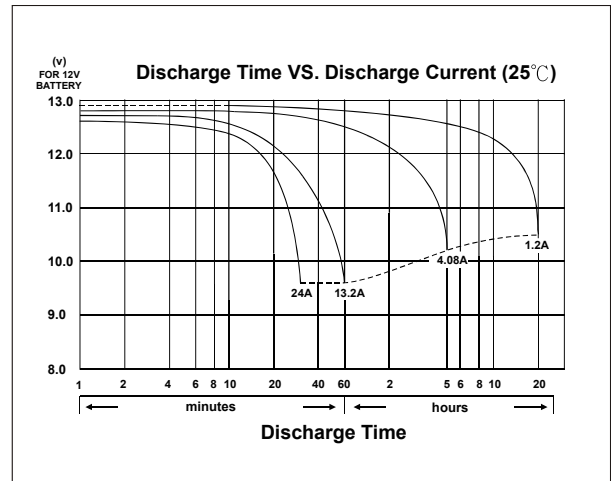
Outer dimensions (mm)



Terminal Type (mm)



Discharge Curves 25 °C(77 °F)



Constant Current(Amp) and Constant Power(Watt) Discharge Table at 25 °C(77 °F)

Time		5 Min	10 Min	15 Min	30 Min	1hr	2Hr	3Hr	4Hr	5Hr	10Hr	20Hr
9.60V	A	99.5	65.6	48.7	27.1	16.4	9.49	6.73	5.67	4.82	2.64	1.38
	W	1044	732	556.2	301.8	183	114	79.8	64.2	53.52	31.8	16.68
10.20V	A	94.2	58.7	45.3	25.4	15.9	9.27	6.51	5.52	4.7	2.56	1.33
	W	1020	660	519.6	286.8	172.8	109.2	77.4	62.4	52.62	31.08	16.38
10.50V	A	88.5	56	42.1	23.7	15.5	9.04	6.29	5.36	4.56	2.47	1.29
	W	978	636	492	270.6	163.8	105	75.6	61.2	51.9	30.24	16.08
10.80V	A	79.6	53.1	38.2	21.4	15.1	8.79	6.06	5.17	4.38	2.36	1.24
	W	906	606	463.2	246.6	153	100.2	73.2	59.7	51	29.1	15.72
11.10V	A	67	47.2	32.6	18.2	14.3	8.41	5.75	4.89	4.15	2.21	1.17
	W	798	547.2	402	213	139.2	93	69	56.28	48.9	27.6	15.18