

## Sealed Gel Rechargeable Battery Product Specification

### SLAUMXNPG20-12 (12V20AH)



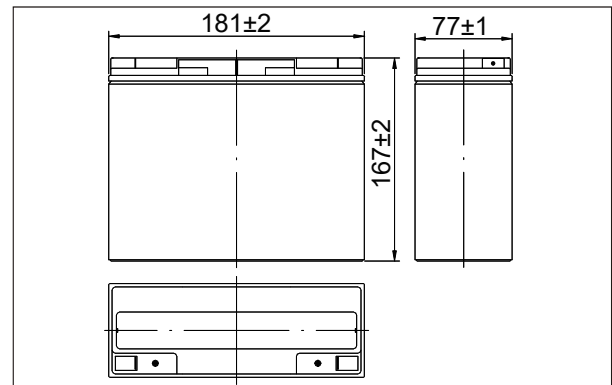
#### Specifications

Nominal Voltage		12V
Rated capacity (20 hour rate)		20Ah
Dimensions	Total Height	167 mm (6.57 inches)
	Height	167 mm (6.57 inches)
	Length	181 mm (7.12 inches)
	Width	77 mm (3.03 inches)
Weight Approx		5.8 Kg (12.8 lbs)

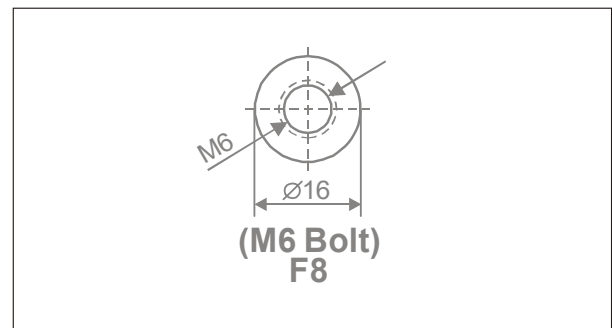
#### Characteristics

Capacity 25°C(77°F)	20 hour rate(1.00 A)	20.0 AH
	10 hour rate(1.82 A)	18.2AH
	5 hour rate(3.20A)	16.0AH
	1 hour rate(12.0A)	12.0AH
	1.5 hour discharge to 10.5V	8.00 A
Internal Resistance	Full charged Battery at 25°C(77°F)	12 mΩ
Capacity affected by Temperature (20 hour rate)	40°C(104°F)	102%
	25°C(77°F)	100%
	0°C(32°F)	85%
	-15°C(5°F)	65%
Self-Discharge at 25°C(77°F)	Capacity after 3 month storage	91%
	Capacity after 6 month storage	82%
	Capacity after 12 month storage	65%
Terminal	F8 (M6 Bolt)	
Charge (constant Voltage)	Cycle	Maximum Charging Current 6.00 A Voltage 14.50-14.90V
	Float	Voltage 13.60-13.80V

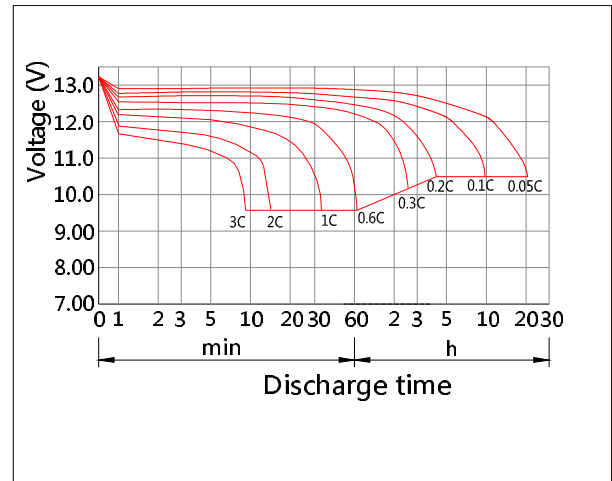
#### Outer dimensions (mm)



#### Terminal Type (mm)



#### Discharge Curves 25 °C(77 °F)



Constant Current(Amp) and Constant Power(Watt) Discharge Table at 25 °C(77 °F)

Time		10 Min	15 Min	30 Min	1hr	2Hr	3Hr	4Hr	5Hr	8 Hr	10Hr	20Hr
9.60V	A	41	34	20	12	6.9	4.9	3.98	3.26	2.18	1.85	1.02
	W	462	388	229	139	81	58.2	47.4	39	26.2	22.2	12.2
9.90V	A	39.8	33.2	19.6	11.8	6.86	4.87	3.95	3.24	2.17	1.84	1.01
	W	449	378	225	137	80	57.8	47.1	38.7	26	22.1	12.1
10.20V	A	38.1	32	19	11.5	6.8	4.83	3.93	3.26	2.15	1.83	1.01
	W	430	364	218	133	80	57.4	46.8	38.5	25.9	22	12.1
10.50V	A	36.5	30.9	18.5	11.3	6.7	4.8	3.9	3.2	2.14	1.82	1
	W	412	352	212	131	78	57	46.4	38.2	25.7	21.8	12
10.80V	A	34.4	29.2	17.9	10.9	6.53	4.66	3.78	3.1	2.08	1.78	0.98
	W	388	333	205	127	76	55.3	45.1	37.1	24.9	21.4	11.8