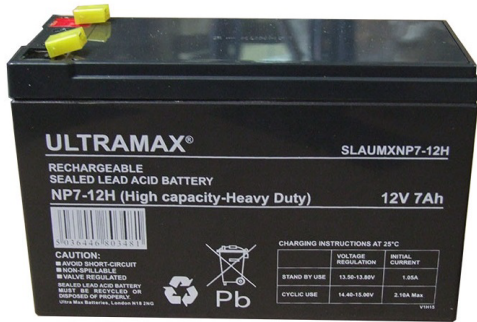


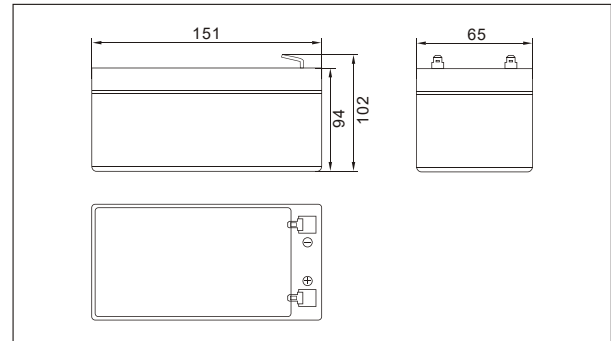
ULTRA MAX®

Sealed Lead Acid Rechargeable Battery Product Specification

SLAUMXNP7-12H (12V7AH)



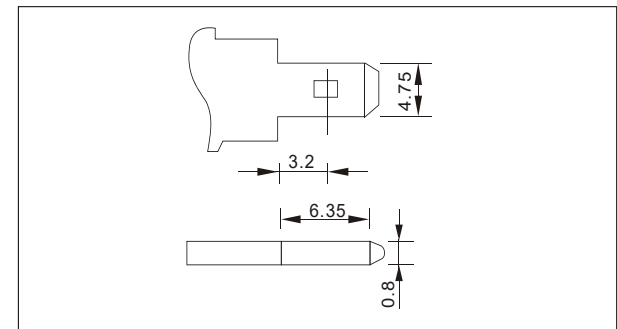
● Outer dimensions (mm)



● Specifications

Nominal Voltage	12V	
Rated capacity (20 hour rate)	7.2Ah	
Dimensions	Total Height	102mm (3.94 inches)
	Height	94mm (3.70 inches)
	Length	151mm (5.94 inches)
	Width	65mm (2.56 inches)
Weight Approx	2.4Kg (5.28lbs)	

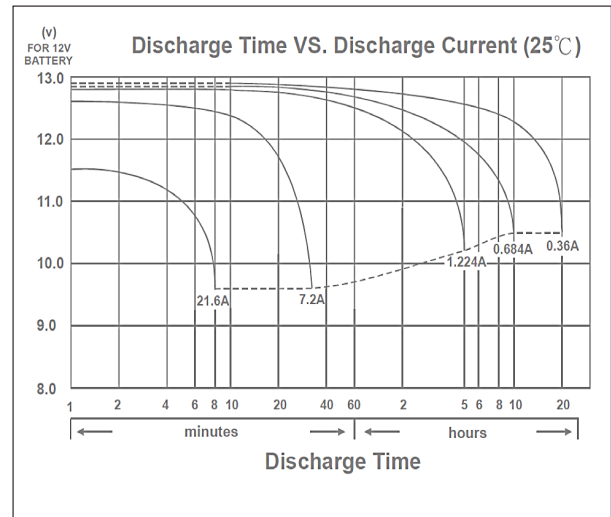
● Terminal Type (mm)



● Characteristics

Capacity 25°C(77°F)	20 hour rate(0.36 A)	7.20 AH
	10 hour rate(0.68 A)	6.40 AH
Capacity affected by Temperature (20hour rate)	5 hour rate(1.22 A)	6.00AH
	1 hour rate(4.48 A)	4.20 AH
	1.5 hour discharge to 10.5V	2.9 A
Internal Resistance	Full charged Battery at 25°C(77°F)	22 m Ω
Capacity affected by Temperature (20hour rate)	40°C(104°F)	102%
	25°C(77°F)	100%
	0°C(32°F)	85%
	-15°C(5°F)	70%
Self-Discharge at 25°C(77°F)	Capacity after 3 month storage	90%
	Capacity after 6 month storage	80%
	Capacity after 12 month storage	65%
Terminal	T1	
Charge (constant Voltage)	Cycle	Initial Charging Current less than 2.16A Voltage 14.40-15.00V
	Float	Voltage 13.50-13.80V

● Discharge Curves 25 °C(77 °F)



Time		5 Min	10 Min	15 Min	30 Min	1hr	2Hr	3Hr	4Hr	5Hr	10Hr	20Hr
9.60V	A	32.6	19.8	14.5	7.61	4.48	2.35	1.87	1.49	1.28	0.747	0.392
	W	55.8	36.3	28.2	14.9	9.45	5.4	3.87	3.23	2.73	1.46	0.77
10.20V	A	29.7	18.6	13.9	7.3	4.36	2.27	1.8	1.45	1.25	0.728	0.382
	W	52.5	34	26.8	14.5	9.15	5.22	3.73	3.15	2.68	1.44	0.75
10.50V	A	28.1	18.2	13.6	7.14	4.25	2.21	1.75	1.42	1.23	0.721	0.377
	W	50.3	32.7	26.2	14.1	8.97	4.63	3.6	3.1	2.63	1.42	0.737
10.80V	A	26.4	17	13.1	6.92	4.13	2.14	1.69	1.37	1.16	0.68	0.357
	W	48	31.3	25.5	13.7	8.73	4.39	3.45	3.01	2.54	1.39	0.718
11.10V	A	23.5	16.2	12.5	6.61	3.98	2.05	1.63	1.3	1.11	0.65	0.341
	W	42.8	29.8	24.5	13	8.43	4.21	3.27	2.87	2.47	1.36	0.694