

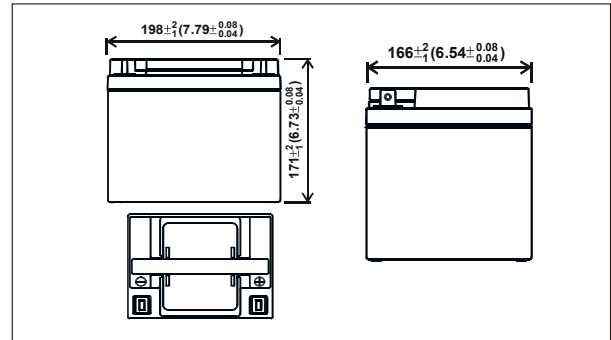
# ULTRA MAX®

## Sealed Lead Acid Rechargeable Battery Product Specification

### SLAUMXNP45-12 (12V45AH)



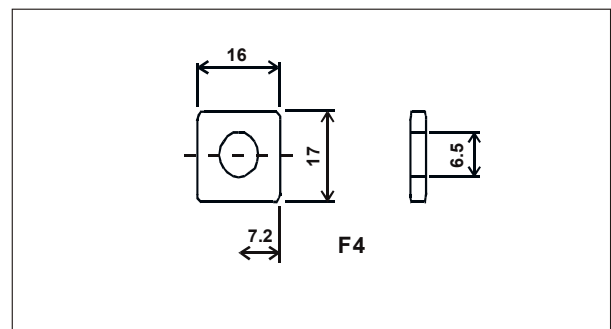
#### Outer dimensions (mm)



#### Specifications

Nominal Voltage		12V
Rated capacity (20 hour rate)		45.0Ah
Dimensions	Total Height	171mm (6.73 inches)
	Height	171mm (6.73 inches)
	Length	198 mm (7.79 inches)
	Width	166mm (6.54 inches)
Weight Approx		14.5 Kg (31.9 lbs)

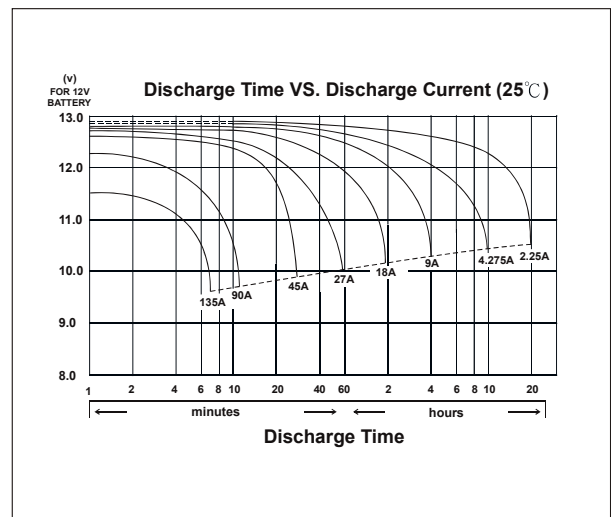
#### Terminal Type (mm)



#### Characteristics

Capacity 25°C(77°F)	20 hour rate(2.25A)	45.0 AH
	10 hour rate(4.50A)	42.7AH
	5 hour rate(7.65A)	38.2AH
	1 hour rate(1.98A)	27.6AH
	1.5 hour discharge to 10.5V	18.0 A
Internal Resistance	Full charged Battery at 25°C(77°F)	6 mΩ
Capacity affected by Temperature (20hour rate)	40°C(104°F)	102%
	25°C(77°F)	100%
	0°C(32°F)	85%
	-15°C(5°F)	65%
	Self-Discharge at 25°C(77°F)	Capacity after 3 month storage
	Capacity after 6 month storage	80%
	Capacity after 12 month storage	64%
Terminal	F4	
Charge (constant Voltage)	Cycle	Maximum Charging Current 13.5 A
	Float	Voltage 14.40-15.00V
		Voltage 13.50-13.80V

#### Discharge Curves 25 °C(77 °F)



Time	5 Min	10 Min	15 Min	30 Min	1hr	2Hr	3Hr	4Hr	5Hr	10Hr	20Hr	
9.60V	A	189	126	95.4	56.5	28.6	18.8	12.3	9.99	8.16	4.73	2.49
	W	2174	1449	1097	650	329	216	142	115	93.8	54.4	28.7
10.20V	A	168	111	90.4	54.7	27.8	18.3	11.9	9.56	7.92	4.6	2.38
	W	1932	1277	1040	629	320	210	137	110	91	52.9	27.4
10.50V	A	157	105	87.6	53.2	27.5	18	11.7	9.38	7.73	4.54	2.33
	W	1806	1208	1007	612	316	207	134	108	88.9	52.2	26.8
10.80V	A	134	96.3	82.5	51.2	27.1	17.7	11.5	9.13	7.61	4.48	2.33
	W	1541	1107	949	589	312	204	132	105	87.5	51.5	26.8
11.10V	A	122	87.2	79.1	48.7	26.6	17.5	11.3	8.95	7.43	4.36	2.22
	W	1403	1003	910	560	306	201	130	103	85.4	50.1	25.5