

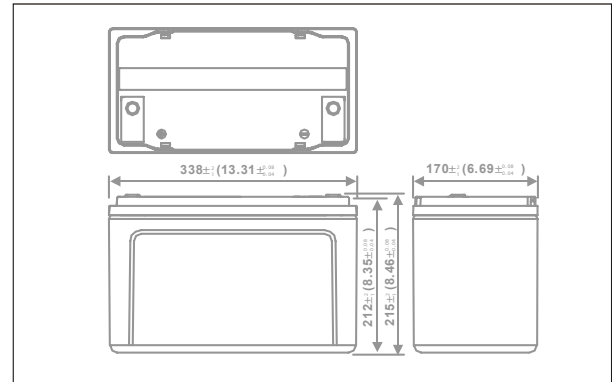
ULTRA MAX®

Sealed Lead Acid Rechargeable Battery Product Specification

SLAUMXNP100-12(12V100AH)



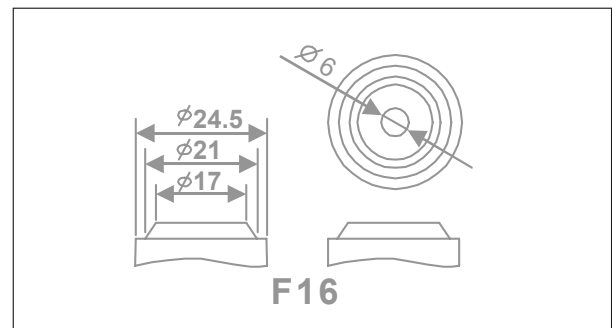
Outer dimensions (mm)



Specifications

Nominal Voltage		12V
Rated capacity (20 hour rate)		100Ah
Dimensions	Total Height	215 mm(8.46 inches)
	Height	212 mm(8.35 inches)
	Length	338 mm(13.3 inches)
	Width	170 mm(6.69 inches)
Weight Approx		32.7 Kg (71.9 lbs)

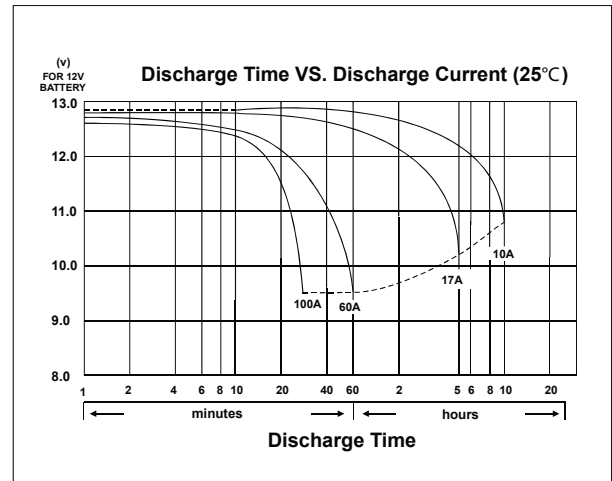
Terminal Type (mm)



Characteristics

Capacity 25°C(77°F)	20 hour rate(5.00 A)	100 AH
	10 hour rate(9.85 A)	98.5AH
	5 hour rate(17.0 A)	85.0AH
	1 hour rate(60.0 A)	60.0AH
	1.5 hour discharge to 10.5V	20.0A
Internal Resistance	Full charged Battery at 25°C(77°F)	4 mΩ
Capacity affected by Temperature (20 hour rate)	40°C(104°F)	102%
	25°C(77°F)	100%
	0°C(32°F)	85%
	-15°C(5°F)	65%
Self-Discharge at 25°C(77°F)	Capacity after 1 month storage	98%
	Capacity after 3 month storage	94%
	Capacity after 6 month storage	85%
Terminal	F16	
Charge (constant Voltage)	Cycle	Maximum Charging Current 30 A Voltage 13.80-14.40V
	Float	Voltage 13.50-13.80V

Discharge Curves 25°C(77°F)



Constant Current(Amp) and Constant Power(Watt) Discharge Table at 25 °C(77 °F)

Time		5 Min	10 Min	15 Min	30 Min	1hr	2Hr	3Hr	4Hr	5Hr	10Hr	20Hr
9.60V	A	405	285	206	133	64	44.1	26.3	21.4	18.6	10.9	5.19
	W	3726	2950	2312	1530	722	507	308	246	209	0	59.7
10.20V	A	321	249	188	125	61.7	41.6	26	21.1	17.6	10.3	5.08
	W	3514	2763	2162	1438	696	478	305	243	199	112	58.4
10.50V	A	298	237	184	123	60.5	40.9	25.7	20.9	17.2	10.1	5.03
	W	3413	2670	2116	1415	682	471	302	241	194	109	57.8
10.80V	A	268	224	172	120	59.8	39.8	25.2	20.5	16.8	9.91	4.86
	W	3185	2530	2059	1380	674	457	296	236	190	108	55.9
11.10V	A	236	209	165	114	58.4	37.3	24	19.5	16.2	9.85	4.67
	W	2591	2168	1976	1311	658	429	282	224	183	107	53.7