

Lithium Iron Phosphate (LiFePO4) Battery Specification

SLAUMXLI7.5-12(12.8V7.5AH)



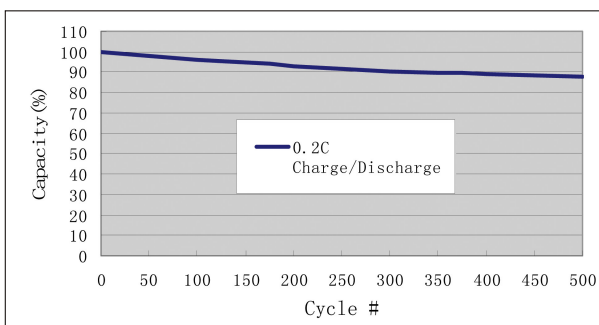
Specifications

Nominal Voltage		12.8V
Rated capacity (20 hour rate)		7.5Ah
Dimensions	Total Height	100 mm(3.94inches)
	Height	94 mm (3.70inches)
	Length	151 mm (5.95inches)
	Width	65 mm (2.56inches)
Weight Approx		1.20 Kg (2.65 lbs)
Terminal		T2

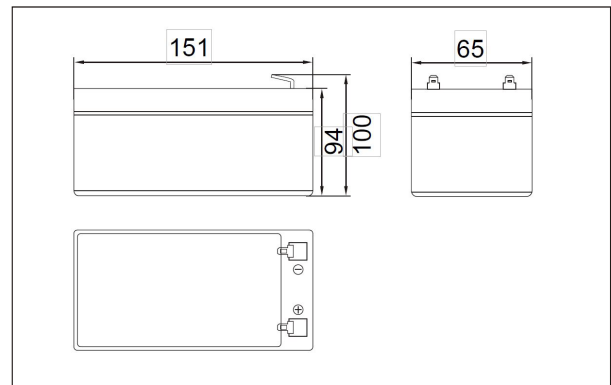
Characteristics

Capacity Retention	>80% at 28 days	
Cycle Life	>80% at 1500 Cycles	
1.5 hour discharge to 10.5V	2.80 A	
Internal Resistance	<60 mΩ	
Charge Characteristics	Charge Voltage	14.6±0.2V
	Charger Current	<7.5A
Discharge Characteristics	Continuous Current	7.5A
	Maximum Pulse Current	15A(<3s)
	Discharge Cut-off Voltage	10V
Temperature	Charge Temperature	0°C-45°C(32°F-113°F)
	Discharge Temperature	-20°C-60°C(-4°F-140°F)
	Storage Temperature	0°C-40°C(32°F-104°F)

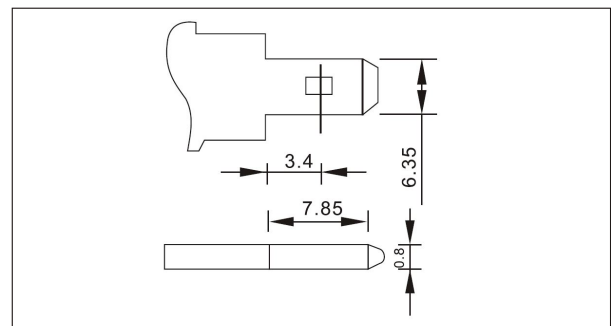
Cycle Life Characteristics



Outer dimensions (mm)



Terminal Type (mm)



Discharge Curves 25°C(77°F)

