

## Lithium Iron Phosphate (LiFePO4) Battery Specification

**SLAUMXLI40-12(12.8V40AH)**



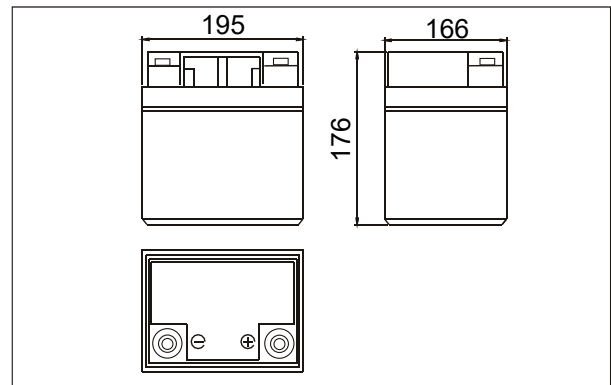
### Specifications

Nominal Voltage		12.8V
Rated capacity (20 hour rate)		40Ah
Dimensions	Total Height	176 mm(6.93inches)
	Height	176 mm(6.93inches)
	Length	195 mm (7.68inches)
	Width	166 mm (6.54inches)
Weight Approx		2.2 Kg (4.85 lbs)
Terminal		M6

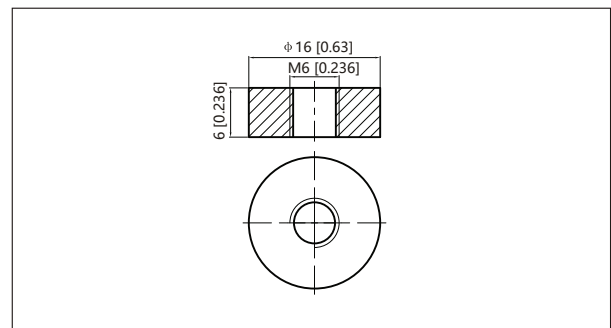
### Characteristics

Capacity Retention	>80% at 28 days	
Cycle Life	>80% at 1800 Cycles	
1.5 hour discharge to 10.5V	2.80 A	
Internal Resistance	<50 mΩ	
Charge Characteristics	Charge Voltage	14.6±0.1V
	Charger Current	<10A
Discharge Characteristics	Continuous Current	20A
	Maximum Pulse Current	120A(<1s)
	Discharge Cut-off Voltage	10V
Temperature	Charge Temperature	0°C-45°C(32°F-113°F)
	Discharge Temperature	-20°C-60°C(-4°F-140°F)
	Storage Temperature	0°C-40°C(32°F-104°F)

### Outer dimensions (mm)



### Terminal Type (mm)



### Discharge Curves 25°C(77 °F)

