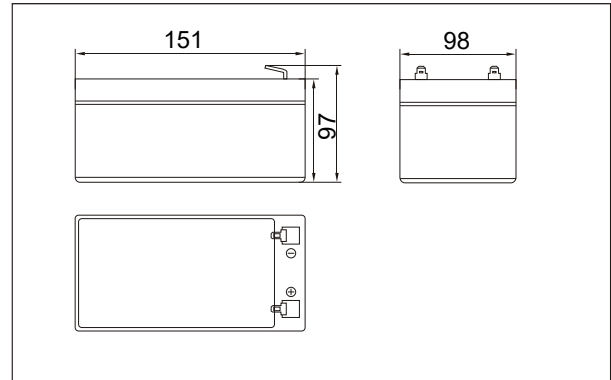


## Lithium Nickel Manganese (LiNiMnCo) Battery Specification

### SLAUMXLI24-12-NCM (11.1V24AH)



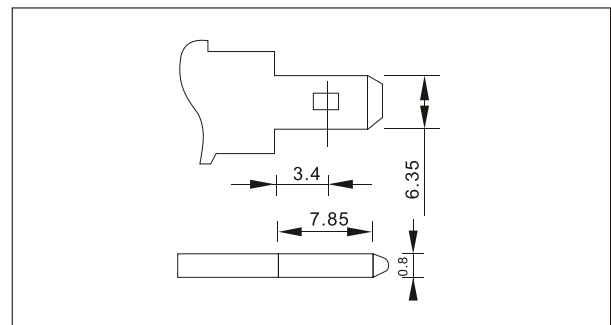
#### Outer dimensions (mm)



#### Specifications

Nominal Voltage	11.1V	
Rated capacity (20 hour rate)	24Ah	
Dimensions	Total Height	97mm
	Height	97 mm
	Length	151 mm
	Width	98mm
Weight Approx	1.5 Kg	
Terminal	T2	

#### Terminal Type (mm)



#### Characteristics

Capacity Retention	>80% at 28 days	
Cycle Life	>80% at 2000 Cycles	
1.5 hour discharge to 10.5V	3.00 A	
Internal Resistance	<30 mΩ	
Charge Characteristics	Charge Voltage	12.6±0.1V
	Charger Current	<20A
Discharge Characteristics	Max Continuous Current	20A
	Min Discharge Cut-off Voltage	8.25V
Temperature	Charge Temperature	0°C-45°C(32°F-113°F)
	Discharge Temperature	-20°C-60°C(-4°F-140°F)
	Storage Temperature	0°C-40°C(32°F-104°F)

#### Discharge Curves 25°C(77 °F)

