

Lithium Iron Phosphate (LiFePO4) Battery Specification

SLAUMXLI22-12S(12.8V22AH)



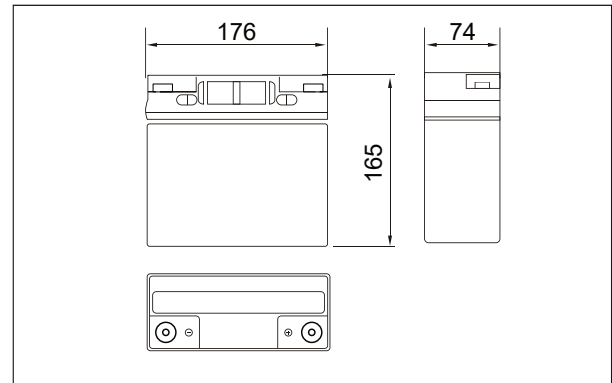
● Specifications

Nominal Voltage		12.8V
Rated capacity (20 hour rate)		22Ah
Dimensions	Total Height	165mm
	Height	165 mm
	Length	175 mm
	Width	74 mm
Weight Approx		2.90 Kg (6.40 lbs)
Terminal		F8

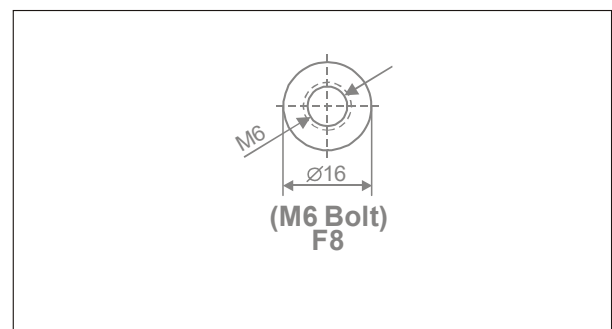
● Characteristics

Capacity Retention	>80% at 28 days	
Cycle Life	>80% at 1500 Cycles	
1.5 hour discharge to 10.5V	8.80 A	
Internal Resistance	<40 mΩ	
Charge	Charge Voltage	14.4±0.1V
Charecteristics	Charger Current	<25A
Discharge Charecteristics	Continuous Current	25A
	Maximum Pulse Current	30A(<5m)
	Discharge Cut-off Voltage	10V
Temperture	Charge Temperture	0°C-45°C(32°F-113°F)
	Discharge Temperture	-20°C-60°C(-4°F-140°F)
	Storage Temperture	0°C-40°C(32°F-104°F)

● Outer dimensions (mm)



● Terminal Type (mm)



● Discharge Curves 25°C(77 °F)

