

ULTRA MAX[®]

Lithium Iron Phosphate (LiFePO4) Battery Specification

SLAUMXLI22-12(12.8V22AH)



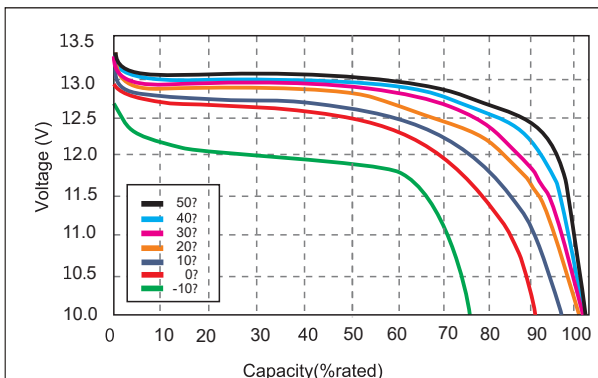
Specifications

Nominal Voltage		12.8V
Rated capacity (20 hour rate)		22Ah
Dimensions	Total Height	103mm(4.06inches)
	Height	103mm(4.06inches)
	Length	168mm(6.61inches)
	Width	128 mm(5.04inches)
Weight Approx		2.90Kg (6.40lbs)
Terminal		TBar

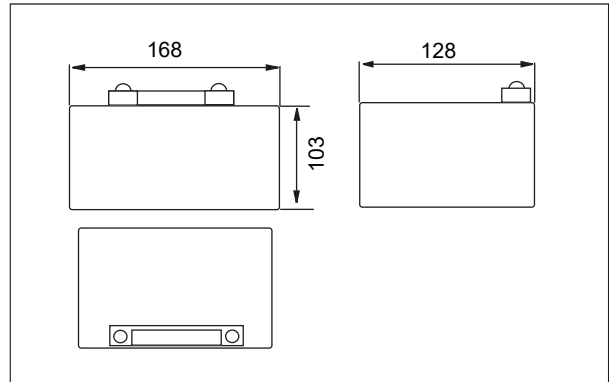
Characteristics

Capacity Retention	>80% at 28 days	
Cycle Life	>80% at 1500 Cycles	
1.5 hour discharge to 10.5V	8.8 A	
Internal Resistance	<45 mΩ	
Charge Characteristics	Charge Voltage	14.4±0.1V
	Charge Current	5A
	Charge Cut-Off Voltage	14.6±0.1V
Discharge Characteristics	Continuous Current	25A
	Max. Pulse Current	35A (<3s)
	Discharge Cut-off Voltage	10V
Temperature	Charge Temperature	0°C-45°C(32°F-113°F)
	Discharge Temperature	-20°C-60°C(-4°F-140°F)
	Storage Temperature	0°C-40°C(32°F-104°F)

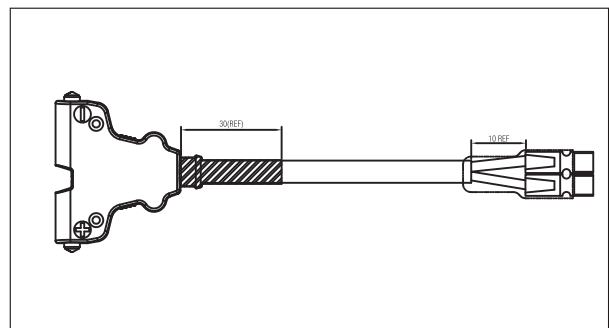
Temperature Discharge



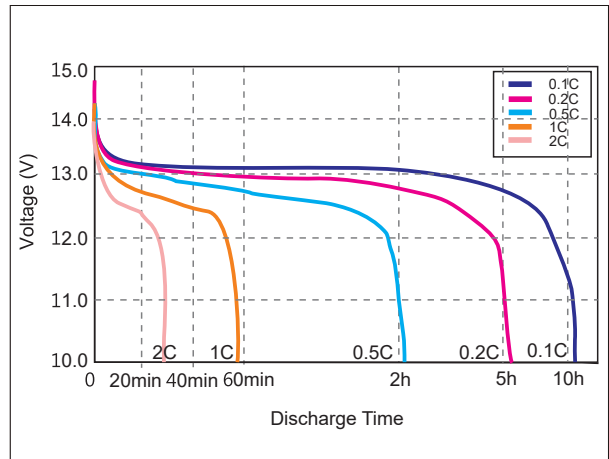
Outer dimensions (mm)



Terminal Type (mm)



Discharge Curves 25°C(77°F)



Charging Characteristics

