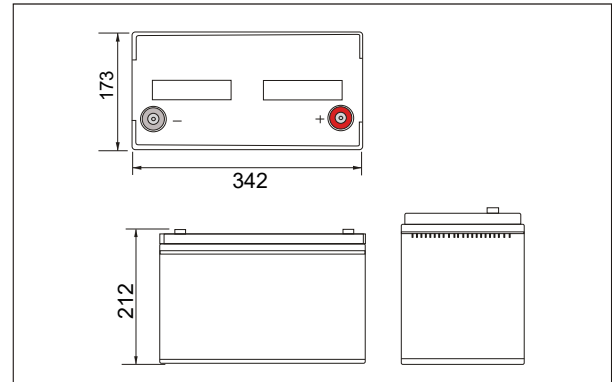


Lithium Iron Phosphate (LiFePO4) Battery Specification

SLAUMXLI100-12C (12.8V100AH)



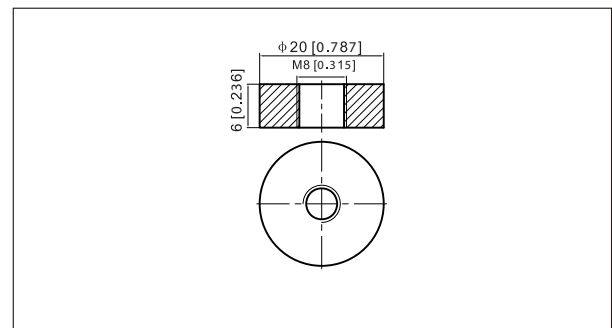
● Outer dimensions (mm)



● Specifications

Nominal Voltage		12.8V
Rated capacity (20 hour rate)		100Ah
Dimensions	Total Height	212 mm(8.86inches)
	Height	212 mm(8.54inches)
	Length	342 mm (13.0inches)
	Width	173 mm (6.81 inches)
Weight Approx		13.9 Kg (30.0 lbs)

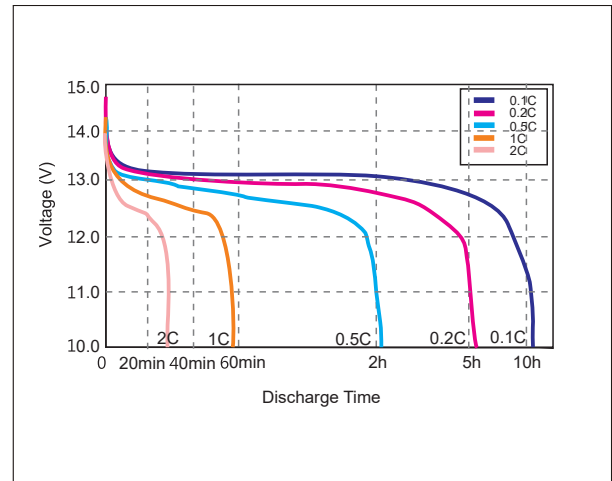
● Terminal Type (mm)



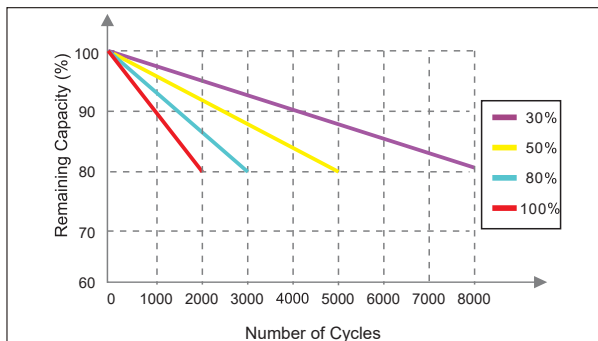
● Characteristics

Charge Discharge Properties	Efficiency of Charge	100% at 0.5C
	Efficiency of Discharge	97% at 1C
	Cycle Life	>80% retention at 1500 cycles
	1.5 hour discharge to 10.5V	40.0 A
	Internal Resistance	<20 mΩ
Charge Characteristics	Charge Voltage	14.4±0.1V
	Charger Current	30A
	Charge Cut-off Voltage	14.6±0.1V
Discharge Characteristics	Normal Current	12A
	Max Continuous Current	24A
	Maximum Pulse Current	30A(<3s)
	Discharge Cut-off Voltage	10V
Temperature	Charge Temperature	0°C-45°C(32°F-113°F)
	Discharge Temperature	-20°C-60°C(-4°F-140°F)
	Storage Temperature	0°C-40°C(32°F-104°F)
	Months Self Discharge	<3%

● Discharge Curves 25°C(77°F)



● Cycle Lives Curves



● Temperature Discharge Curve @0.5C

