

# ULTRA MAX<sup>®</sup>

## Lithium Iron Phosphate (LiFePO4) Battery Specification

**SLAUMXLI10-24(25.6V10AH)**



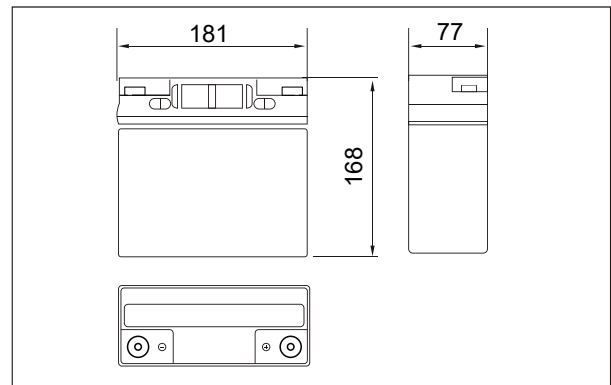
### Specifications

|                               |              |                     |
|-------------------------------|--------------|---------------------|
| Nominal Voltage               |              | 25.8V               |
| Rated capacity (20 hour rate) |              | 10Ah                |
| Dimensions                    | Total Height | 168 mm(6.62inches)  |
|                               | Height       | 168 mm(6.62inches)  |
|                               | Length       | 181 mm (7.13inches) |
|                               | Width        | 77 mm (3.03inches)  |
| Weight Approx                 |              | 2.7Kg (5.95 lbs)    |
| Terminal                      |              | M5                  |

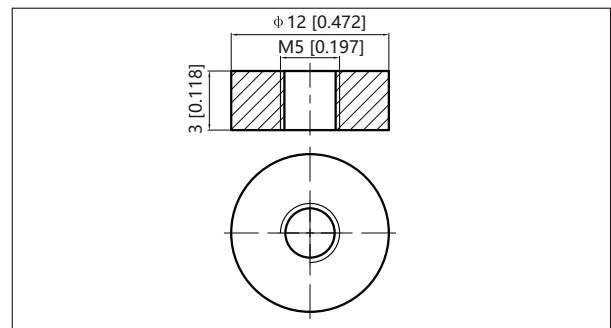
### Characteristics

|                             |                           |                        |
|-----------------------------|---------------------------|------------------------|
| Capacity Retention          | >80% at 28 days           |                        |
| Cycle Life                  | >80% at 1800 Cycles       |                        |
| 1.5 hour discharge to 10.5V | 4.0 A                     |                        |
| Internal Resistance         | <50 mΩ                    |                        |
| Charge Characteristics      | Charge Voltage            | 28.8±0.1V              |
|                             | Charger Current           | <5A                    |
| Discharge Characteristics   | Continuous Current        | 15A                    |
|                             | Maximum Pulse Current     | 70A(<1s)               |
|                             | Discharge Cut-off Voltage | 20V                    |
| Temperature                 | Charge Temperature        | 0°C-45°C(32°F-113°F)   |
|                             | Discharge Temperature     | -20°C-60°C(-4°F-140°F) |
|                             | Storage Temperature       | 0°C-40°C(32°F-104°F)   |

### Outer dimensions (mm)



### Terminal Type (mm)



### Discharge Curves 25°C(77 °F)

