

MOTUMX32RBS Motorcycle Battery Specification

YTX20-BS (12V18AH)



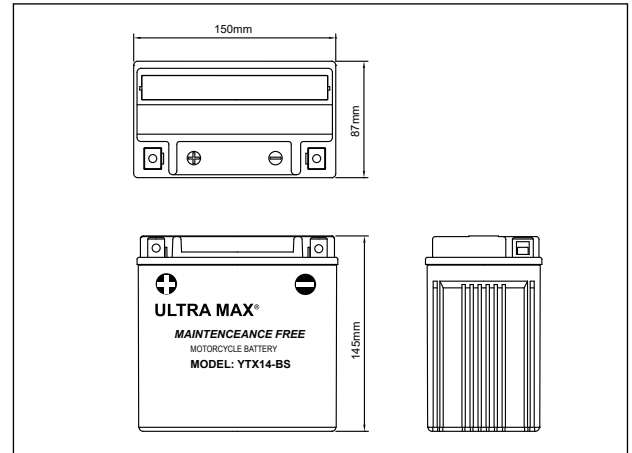
Specifications

Nominal Voltage	12V	
Rated capacity (10-hour rate)	18Ah	
Dimensions (±2mm)	Total Height	145mm
	Height	145mm
	Length	150mm
	Width	87mm
Weight Approx.	4.31kg	
Acid Volume	0.69l	
Charge Current	1.3A	
Max Charge Voltage		
Terminal Type	5	

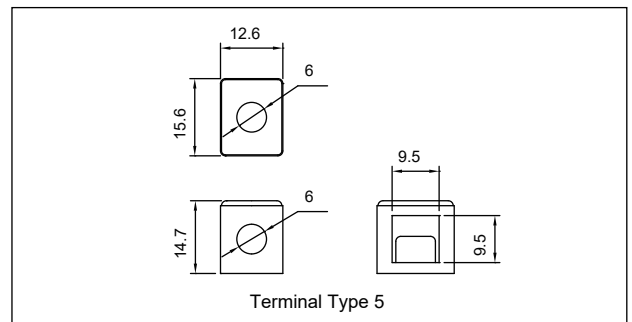
Characteristics

Capacity 25°C	10-hour rate(1.3A to 10.5V)	12.6Ah
	5-hour rate(2.6A to 10.2V)	10.0Ah
	1C(12.6A to 9.6V)	6.6Ah
	3C(37.8A to 9.6V)	4.7Ah
Internal Resistance (at 1KHz Approx.)	5.3mΩ	
Cold Cranking Amperes (-18°C/-0.4°F IEC Standard)	120A	
Operating Temperature Range	0°C to 40°C	Charge
	-18°C to 50°C	Discharge
	-15°C to 40°C	Storage
Charge Retention (Shelf Life) at 20°C	1-month storage	90%
	3-month storage	85%
	6-month storage	80%
Life Expectancy (Cycle Use)	100% depth of discharge	120 cycles
	80% depth of discharge	160 cycles
	50% depth of discharge	240 cycles
Electrolyte	H ₂ SO ₄ (ρ=1.32, 25°C)	
Case Material	ABS	
Separator	AGM	

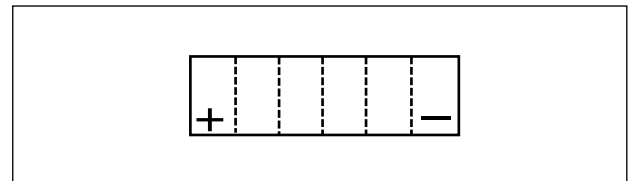
Outer dimensions (mm)



Terminal Type (mm)



Cell Assembly Layout



Discharge Curves at 25°C

